

P9081 Medium LED Step Track Head

Track mounted • Dry location listed



Description:

The P9081 LED Track head with a classic step design is ideal for residential and light commercial applications. The P9081 has an integrated driver design allowing for a small, sleek style.

Specifications:

- Black (-31) (painted)
- Die Cast Aluminum construction
- Clear glass lens
- LED Track head with step design
- Specular reflector.
- P9051 power feed needed to electrify track.
- 48" and 96" track available (P9054 & P9058)
- Dimmable to 10% brightness (See Dimming Notes)
- ENERGY STAR® qualified

Performance:

Number of Modules	1
Input Power	7w
Input Voltage	120 V
Input Frequency	60 Hz
Lumens/LPW	451/64.4 (LM-79)
CCT	2700 K
CRI	90+
Life (hours)	50,000 (L70/TM-21)
EMI/RFI	FCC Title 47, Part 15 Class B
Min. Start Temp	-30 °C
Max. Operating Temp	30° C
Warranty	5 year warranty
Labels	cETLus Dry location listed ENERGY STAR® qualified

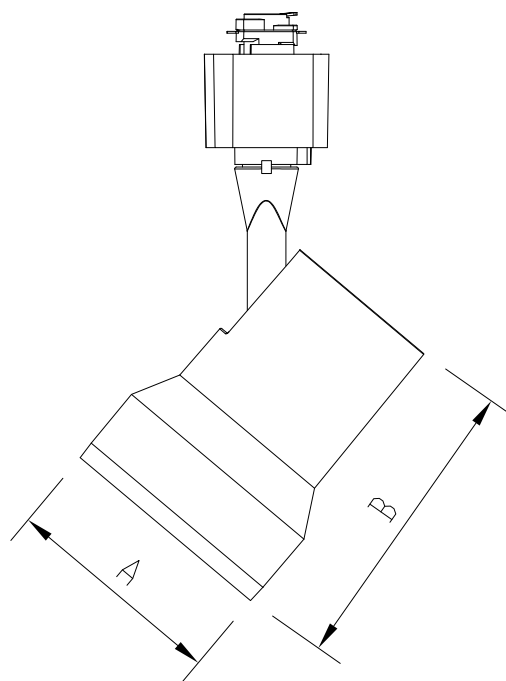
P9081-31-27K9

Images:



Dimensions:

(A) Width: 2.8"
(B) Depth: 3.7"
Height: 6.5"



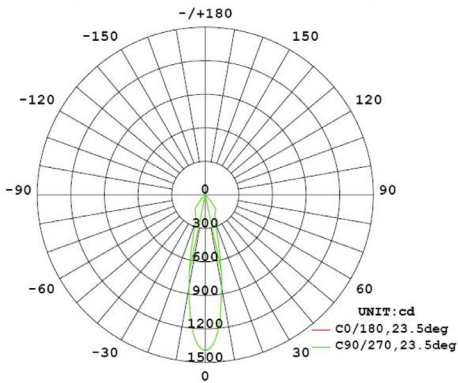
Photometrics:

P9081-31-27K9

ELECTRICAL DATA	P9081-31-27K9
Input Voltage	120 V
Input Frequency	60 Hz
Input Current	0.0613 A
Input Power	7
Power Factor	>0.90
THD	<20%
EMI Filtering	FCC Title 47, Part 15 Class B
Operating Temperature	-30 °C to 30° C
Dimming	Yes*
Over-voltage, over-current, short-circuit protected	
*See Dimming Notes for more information	

P9081-31-27K9

LED Light Engine: 2700 K 90+ CRI
 System Wattage: 7
 Fixture delivered lumens: 451
 Fixture Efficacy: 64.4
 Spacing Criteria: 0.4



ZONAL LUMEN SUMMARY

Zone	Zone_Lumens	Total_Lumens	%_Luminaire
0-10	105.0	105.0	23.2
10-20	129.6	234.6	52
20-30	94.41	329.0	72.9
30-40	93.34	422.3	93.6
40-50	23.40	445.7	98.7
50-60	4.126	449.9	99.7
60-70	1.145	451.0	99.9
70-80	.4087	451.4	100

P9081-31-27K9

Dimming Notes:

P9081 is designed to be compatible with many Triac/Forward Phase controls.

The following is a partial list of known compatible dimmer controls.

Dimming Controls

Lutron NTELV-300

Lutron DVELV-300P

Lutron DVCL-253P

Lutron Caseta

Leviton 6681

Leviton 6672

Leviton 6674

Lutron AYLC-153P

Lutron TGCL-153PH

Lutron AYLV-600P

Lutron NTLV-600

Lutron N-600

Lutron MAELV-600

Dimming capabilities will vary depending on the dimmer control, load, and circuit installation. Always refer to dimmer manufacturer instructions or a controls specialist for specific requirements.

Dimmer control brand names where identified above are trade names or registered trademarks of each respective company.