

# PEESE/ PEERE SERIES

Edge-Lit LED Emergency Exit

## Specifications:

### Description:

The PEESE/PEERE Series offers quality and value with an Edge-Lit based emergency exit. The PEESE/PEERE is ideal for architectural applications and offers surface and recessed mounting options. The acrylic panels are ultrasonically welded and taped at the edges to maximize illumination and visibility. The Exit panel can be ratcheted to various angles for mounting to angled surfaces. The housing finish and trim-plate is brushed aluminum. Recessed mount model comes with a full recessed box complete with integrated caddy-bar assembly. Surface mount model has a clam-shell design for easy installation and access to internal circuitry. Canopy and mounting hardware included. All models are for emergency operation complete with a NiCad battery, status LED and Push-to-Test switch.

### Features:

- Superior panel illumination with Red or Green letters
- LED life-cycle of more than 10 years
- Dual-voltage 120 or 277V AC input
- Low Input Power Consumption at 3.72 Watts
- Includes long-life Nickel Cadmium batter for UL recognized 90 minute emergency lighting
- Field installed directional arrow indicators with template
- Mirror divider on double-face models
- Provided with test switch and AC-On indicator
- Canopy included for surface mount model

### Application:

The PEESE/PEERE Series can be applied in stairwells, hallways, offices and other commercial applications.

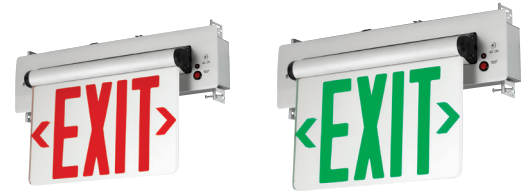
### Compliances:

- Listed to UL924 Standard, damp location
- NFPA 101 and NFPA 70
- OSHA

### Warranty:

2 year full unit warranty

### Images:

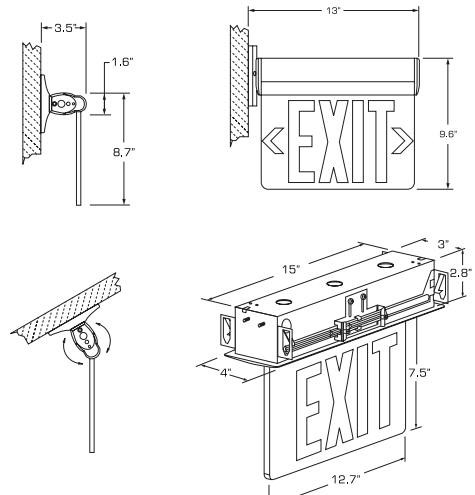


Recessed Mount Wall or Ceiling



Surface Mount

### Dimensions:



### Catalog number:

Base	Mounting	Face	Color	Finish
PE	ESE - Surface Mount ERE - Recessed Mount	S - Single D - Double	R - Red G - Green	16 - Brushed Aluminum