

PCPAE SERIES

Specifications:

Construction:

Die-cast and extruded aluminum with vertical finning for maximum thermal management. Electrical and optical compartments separated to provide increased thermal management.

Mounting:

Tool-less entry into electrical/wiring compartment. Slotted mounting block allows for mounting to various drill patterns, making retrofit simple. Easy slide installation of fixture to mounting block.

Optics:

Specially designed acrylic LED lenses available in IES Type 3 and IES type 5 distributions. Lens optics rotatable and interchangeable in field. LEDs are 4000K/70 CRI and optical assembly is IP65 rated. Lumen output 11,000 lumens and 16,000 lumens. Fixture allows zero uplight.

Electrical:

Single 2100mA driver with greater than 90% power factor and less than 20% THD. 120-277V universal voltage, 50/60Hz with 0-10V dimming capability. Surge protection standard with device providing 10KA and 10KV protection to meet ANSI/IEEE C62.41.2 Cat. C High and Surge Location Category C3. Automatic shutoff if device is consumed. Device is field replaceable.

Finish:

TGIC thermoset polyester powder paint finish applied at nominal 2.5 mil thickness. alkaline.

Listing/Certification:

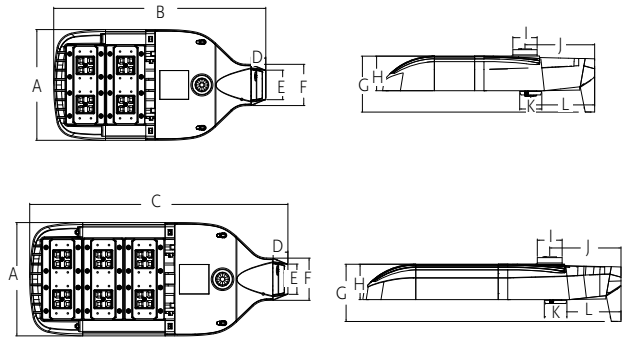
The luminaire is listed to UL 1598 and CSA C22.2 250.0-24 for use in wet locations and 40°C ambient temperatures. 3G rated for ANSI C136.31 high vibration applications.

Engine/Wattage	Delivered Lumens (varies by optics)	Delivered LPW
125	11150-11260	91
180	16360-16510	90-91

Images:



Dimensions & Mounting



A	B	C	D	E	F
11.7"	22.4"	26.6"	1.5"	3.1"	4.3"
G	H	I	J	K	L
5.9"	3.6"	2.5"	7.4"	2.3"	6.7"

Catalog number:

Series	Wattage	Distribution	Finish
PCPAE - Parking/Area Economy Series	125 - 16 LEDS@ 123W 180 - 24LEDS@ 181W	3 - Type 3 5 - Type 5	BZ - Bronze

PCPAE SERIES

Photometric Data:

- Drive Current: 2100 mA
- System Watts: 123 Watts (16 LEDs) or 181 Watts (24 LEDs)
- Number of LEDs: 16 or 24
- Number of Drivers: 1
- 4000K, 70 CRI

# of LEDs	Input Voltage (Volts)	System Power (Watts)	Current (Amps)
16	120	123	1.03
	208	123	0.60
	240	123	0.52
	277	123	0.45
24	120	181	1.49
	208	181	0.86
	240	181	0.74
	277	181	0.64

Ambient Temperature		Lumen Multiplier
0°C	32°F	1.06
10°C	50°F	1.03
20°C	68°F	1.01
25°C	77°F	1.00
30°C	86°F	0.99
40°C	104°F	0.97
50°C	122°F	0.94

# of LEDs	Distribution Type	Lumens	LPW	B	W	G
16	3	11153	91	2	0	2
	5	11253	91	4	0	2
24	3	16364	90	3	0	3
	5	16510	91	4	0	2

Operating Hours						
Ambient Temperature	0	25,000	TM-21-11 L90 36,000	50,000	100,000	Calculated L70 (Hours)
25°C/77°F	1.00	0.93	0.90	0.86	0.75	>125,000
40°C/104°F	0.99	0.90	0.86	0.81	0.67	>88,000