

PCILT - 32T8 - 2 SERIES

Dedicated T8 Lensed Fluorescent Troffer

Specifications:

Features:

- Energy efficient, thermally protected, automatic resetting, Class "P", high power factor, sound rated A, Electronic T8 Instant Start Ballast
- Metal to metal light leak protection on all four sides of shielding frame
- Rotary lock lampholders for positive lamp contact
- Heat sink embossments behind ballasts for cooler operation, longer life
- The shielding is 100% acrylic prismatic 12, extruded and roll-embossed, diagonally oriented female prisms
- Housing is constructed of heavy gauge steel, die formed for extra rigidity.
- Wireway is accessible from below for upgrades or maintenance
- Universal input voltage 120-277 VAC, 50/60Hz

Compliances:

PCILT32-T8 Series are built to UL 1598 standards, bear appropriate UL and CSA labels and are Damp Location Listed.

Mounting:

Installation: An access plate is furnished with each recessed fixture for fast wiring connections without the necessity to open the fixture or wire way.

Images:

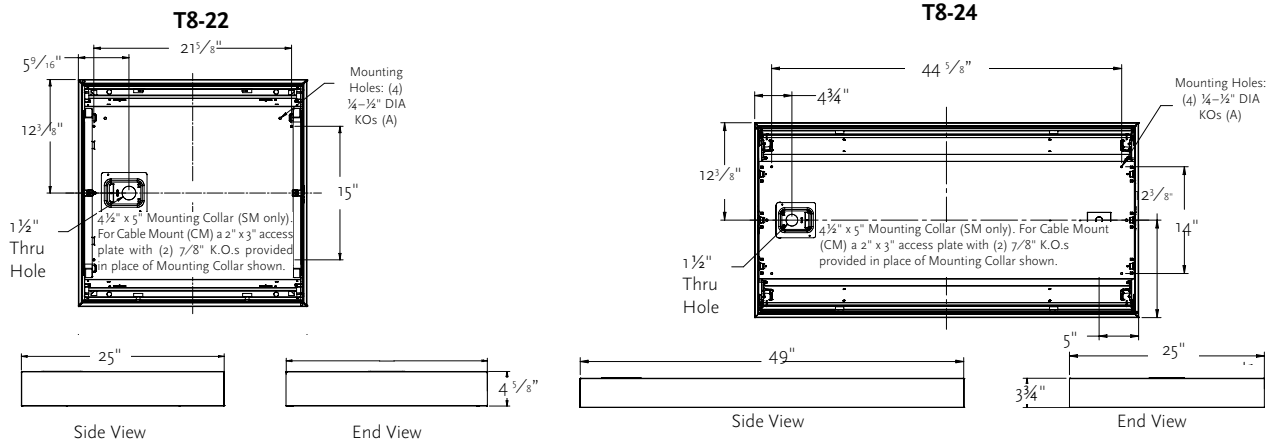
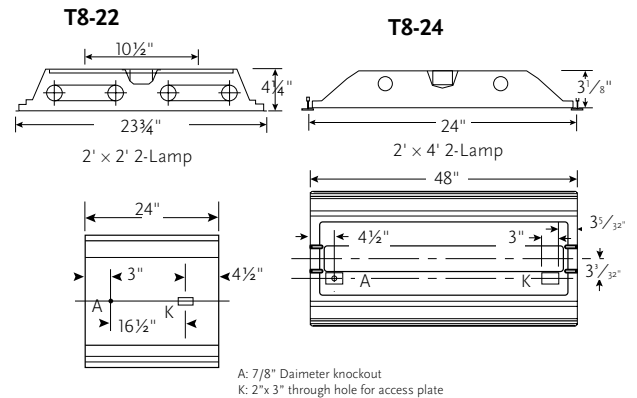
T8-22



T8-24



Dimensions:



Catalog number:

Base	Lamp Type	Lamp Configuration	Number of Lamps
PCILT	32T8 - T8, 32 Watts	22 - 2X2 24 - 2X4	2 - 2 3 - 3

PCILT - 32T8 - 2 SERIES

Dedicated T8 Lensed Troffer

Photometric Data:

	PCILT8-32T8-222	PCILT-32T8-242	PCILT-32T8-243
Ballast Factor	0.99	0.88	0.88
Lamp	FBO32U6	F32T8	F32T8
Lumens per Lamp	2750	2900	2900
Watts	58	60	84
Mounting		RECESSED	
Shielding Angle	0° = 90 90° = 90	N/A	N/A
Spacing Criterion	0° = 1.32 90° = 1.23	0° = 1.32 90° = 1.36	0° = 1.23 90° = 1.36

Zone	Lumens	% Lamp	%Fixt
0-30	1294	23.5	31.4
0-40	2111	38.4	51.2
0-60	3496	63.6	84.8
0-90	4123	75.0	100.0
0-180	4123	75.0	100.0

Zone	Lumens	% Lamp	%Fixt
0-30	1542	26.6	30.8
0-40	2538	43.8	50.7
0-60	4234	73.0	84.7
0-90	5004	86.3	100.0
0-180	5004	86.3	100.0

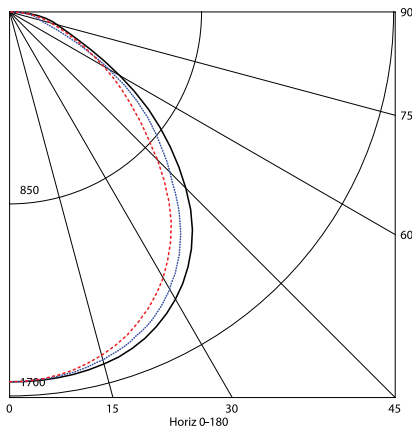
Zone	Lumens	% Lamp	%Fixt
0-30	2232	25.7	30.3
0-40	3678	42.3	49.9
0-60	6216	71.4	84.4
0-90	7364	84.6	100.0
0-180	7364	84.6	100.0

Total Luminance Efficiency	75.0%
Total Luminance per Watt	70
ANSI/IESNA RP-1-2004 Compliance	Noncompliant

Total Luminance Efficiency	86.3%
Total Luminance per Watt	73
ANSI/IESNA RP-1-2004 Compliance	Noncompliant

Total Luminance Efficiency	86.3%
Total Luminance per Watt	73
ANSI/IESNA RP-1-2004 Compliance	Noncompliant

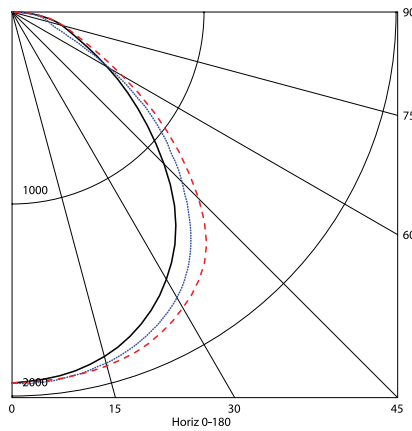
INDOOR CANDELA PLOT



0.0 — 45.0 — 90.0 —

Test 13122 Test Date S

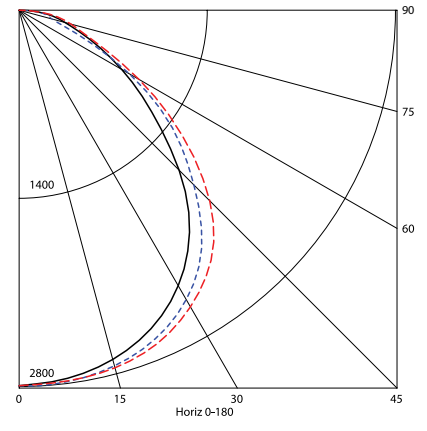
INDOOR CANDELA PLOT



0.0 — 45.0 — 90.0 —

Test 13121 Test Date 1/8/03

INDOOR CANDELA PLOT



0.0 — 45.0 — 90.0 —

Test 13120 Test Date 11/07/2003