

PCICT SERIES

Recessed Performance LED Troffer

Specifications:

Features:

- High efficiency acrylic center lens features linear prisms for high performance without pixelation
- High performance reflector with matte white paint
- 60,000 hour LEDs at L80 (up to 150,000 projected life) for reduced maintenance
- Model 22: 3500 - 3700 Lumens
- Model 24: 4400 - 4800 Lumens
- LED modules and electrical accessible from below
- 0-10V dimming driver
- IC rated
- Universal input voltage, 120-277 VAC, 50/60 Hz

Compliances:

PCICT Series are built to UL 1598 and 2108 standards, and bear appropriate CSA labels. Damp location labeling is standard. IC rating is standard on all models.

Warranty:

5 year warranty (Terms and Conditions Apply)

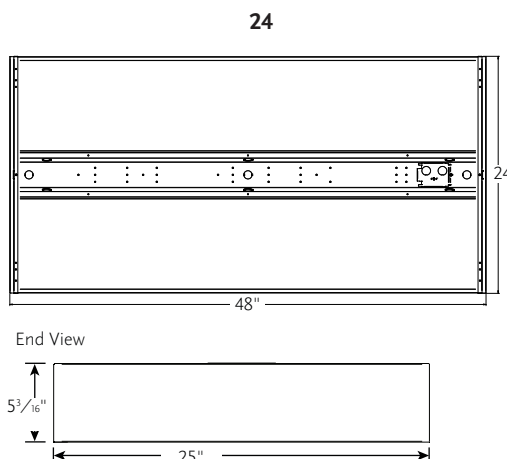
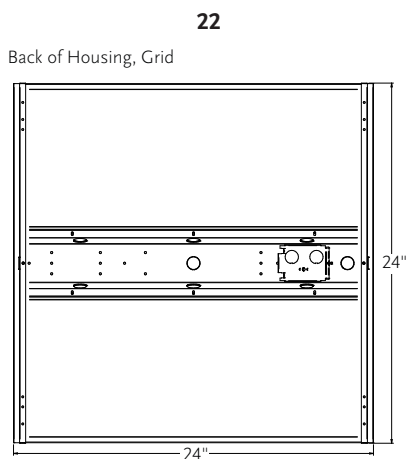
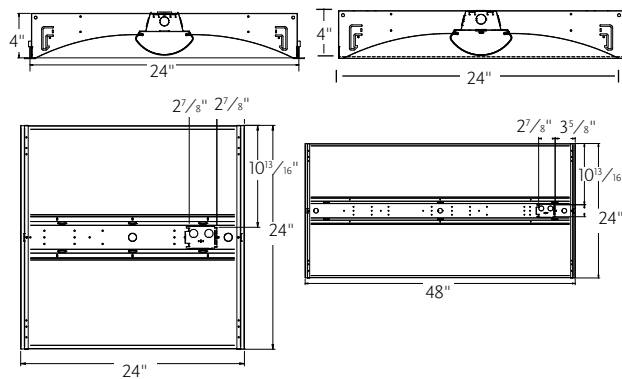
Mounting:

Installation: An access plate is furnished with each recessed fixture for fast wiring connections without the necessity to open the fixture or wire way.

Images:



Dimensions:



Catalog number:

Base	Lamp Type	Lamp Configuration	Color Temperature
PCICT	LED	22 - 2X2 24 - 2X4	30K - 3000K 35K - 3500K

PCICT SERIES

Recessed Performance LED Troffer

Photometric Data:

	PCICT-LED-22-35K	PCICT-LED-24-35K
Fixture Lumens	3685	4790
Watts	35.40	39.80
Mounting	RECESSED	
Shielding Angle	0° = 90 90° = 90	
Spacing Criterion	0° = 1.20 90° = 1.32	0° = 1.21 90° = 1.33
Luminous Opening (L x W x H)	1.90' x 1.90' x 0	3.92' x 1.90' x 0

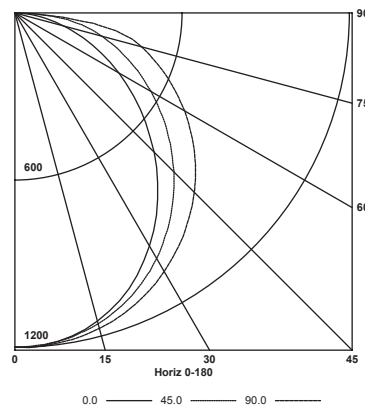
Zonal Lumen Summary PCICT-LED-22-35K

Zone	Lumens	% Lamp	%Fixt
0-30	934	25.3	25.3
0-40	1530	41.5	41.5
0-60	2732	74.1	74.1
0-90	3685	100.0	100.0
0-180	3685	100.0	100.0

Energy Data PCICT-LED-22-35K

Total Luminance Efficiency	100.0%
Total Luminance per Watt	104
ANSI/IESNA RP-1-2004 Compliance	Noncompliant

INDOOR CANDELA PLOT



Zonal Lumen Summary PCICT-LED-24-35K

Zone	Lumens	% Lamp	%Fixt
0-30	1198	25.0	25.0
0-40	1967	41.0	41.0
0-60	3526	73.6	73.6
0-90	4790	100.0	100.0
0-180	4790	100.0	100.0

Energy Data PCICT-LED-24-35K

Total Luminance Efficiency	100.0%
Total Luminance per Watt	120
ANSI/IESNA RP-1-2004 Compliance	Noncompliant

INDOOR CANDELA PLOT

