



Compact Fluorescent

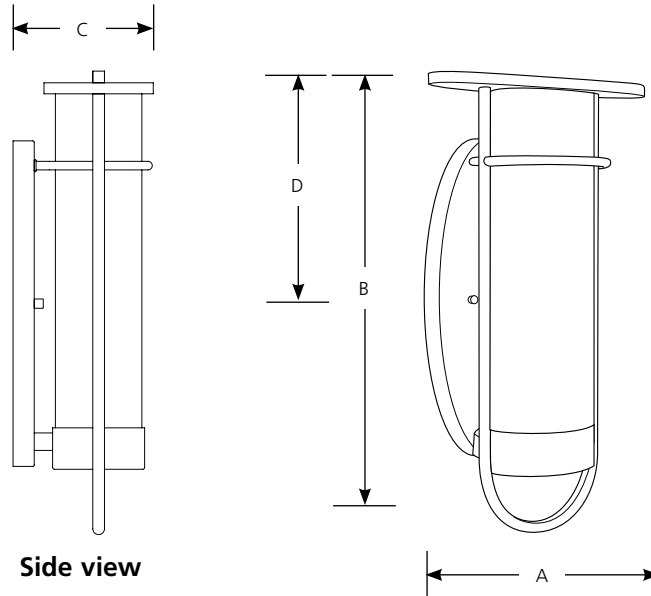
Soul

Outdoor

Type _____
-20EE

P5819

Catalog No.	Finish	Lamping	Dimensions (Inches)			
	Antique Bronze		A	B	C	D
P5819	-20EE	1-26w GU-24 (Lamp not included)	12	19-3/4	6	9-7/8



Specifications:

General

- Etched cylindrical diffuser with enclosed top: 3-11/16" dia., 13-5/8" ht.
- Painted Antique Bronze (-20EE) finish
- Steel construction

Electrical

- GU24 base socket
- Pre-wired

Labeling

- cCSAus Wet location listed

Mounting

- Wall mount
- Back plate covers a standard 4" hexagonal recessed outlet box: oval 6-1/2" W., 13-15/16" ht.
- Mounting strap for outlet box included

Progress Lighting
701 Millennium Blvd.
Greenville, South Carolina
29607

www.progresslighting.com

Rev. 09/13