



Assembly & Installation Instructions

CAUTION: Read instructions carefully and turn electricity off at main circuit breaker panel before beginning installation.

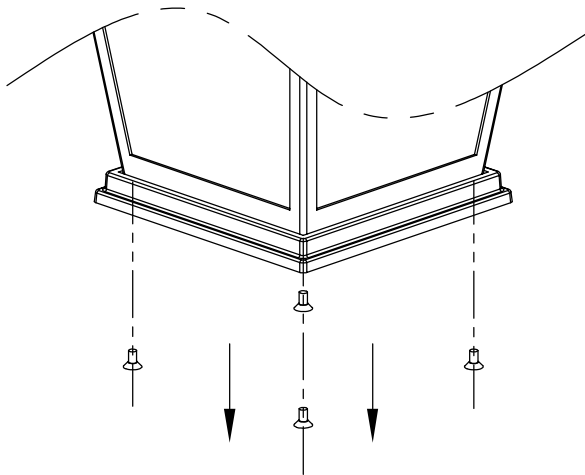
P8774-31, P8775-31, P8779-31

WARNING - If any Special Control Devices are used with this Fixture, Follow the Instructions Carefully to assure full compliance with N.E.C. requirements. If there are any questions, contact a Qualified Electrical Contractor.

WARNING - This product contains chemicals known to the State of California to cause cancer, birth defects and /or other reproductive harm. Thoroughly wash hands after installing, handling, cleaning, or otherwise touching this product.

CAUTION - All glass is fragile, use care when handling Glass component(s) and or Lamp(s).

1.



NOTE: WHEN REMOVING THE FOUR SCREWS AS SHOWN, THE BOTTOM FRAME OF THE LANTERN MUST BE SUPPORTED SINCE IT HOLDS THE GLASS PANELS IN PLACE. YOU WILL REINSTALL THESE SCREWS WHEN THE PLATE AND GLASS DIFFUSER ARE IN PLACE.

NOTA: AL EXTRAER LOS CUATRO TORNILLIS COMO SE DEMOSTRADO, LA PARTE INFERIOR DEL MARCO DE LA LINTERNA DEBE SER APOYADO PORQUE QUE TIENE LOS PANELOS DE VIDRIO EN SU LUGAR. DEREA INSTALAR LOS TORNILLOS DESPUES DE LA PLACA Y DIFUSOR DE VIDRIO ESTAN EN SU LUGAR.

REMARQUE: QUAND RETIRANT LES QUATRE VIS COMME INDIQUE, LE CADRE DE FOND DE LA LANTERNE DOIT ETRE SOUTENU CAR IL DETIEN LES PANNEAUX DE VERRE EN PLACE, VOUS REINSTALLERA CES VIS QUAND LA PLAQUE ET LE DIFFUSEUR EN VERRE SONT EN PLACE.

2.

