

FASTFIT™ Stops



Product Features

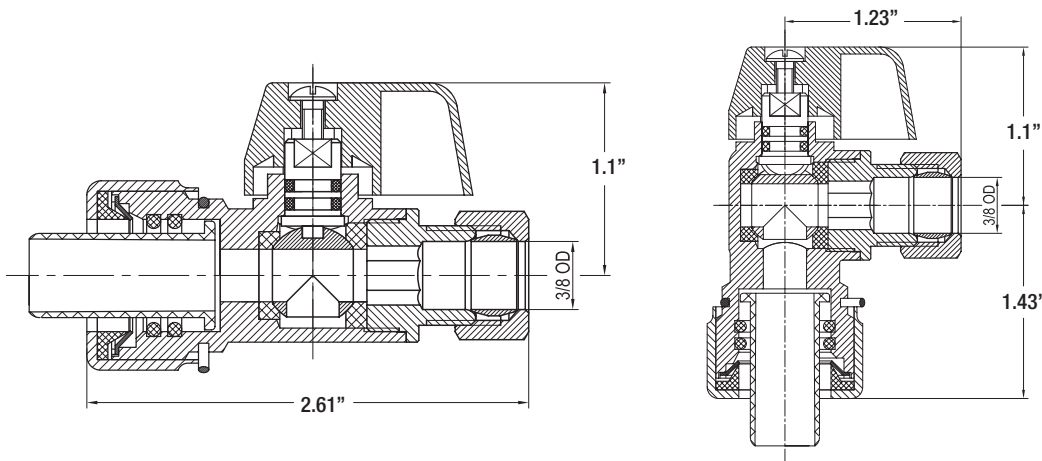
- Low Lead compliant
- Push on connection
- For use with Copper, CPVC and PEX pipe
- Brass body
- Quarter Turn operation
- Includes PEX Stiffener
- May be removed and re-used
- Temperature range: 40°F - 160°F
- Max pressure: 125 psi
- Meet ANSI/NSF Standard 61 certification



PFXQAQ32C

Part Numbers

Part #	Description	Finish
PFXQAQ32C	LF 5/8 OD X 3/8 OD QT Angle Stop	Chrome Plated
PFXQSQ32C	LF 5/8 OD X 3/8 OD QT Straight Stop	Chrome Plated
PFXQAQ32BN	LF 5/8 OD X 3/8 OD QT Angle Stop	Brushed Nickel
PFXQSQ32BN	LF 5/8 OD X 3/8 OD QT Straight Stop	Brushed Nickel
PFXQAQ32ORB	LF 5/8 OD X 3/8 OD QT Angle Stop	Oil Rubbed Bronze
PFXQSQ32ORB	LF 5/8 OD X 3/8 OD QT Straight Stop	Oil Rubbed Bronze



Warranty and Codes

This PROFLO product carries a 1-year limited warranty.

