

PFS11D/PFT11D

Washing Machine Shutoff Valves

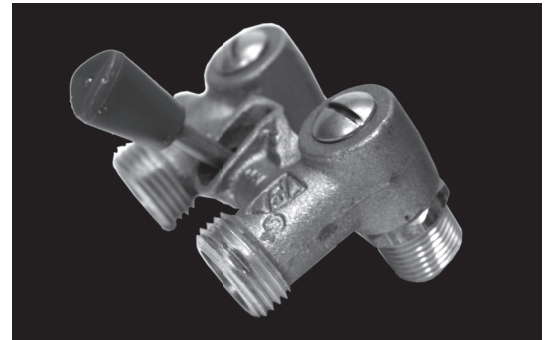


Product Features

- Cast brass body
- Max Pressure: 150 psi
- Max temperature: 180 F (82 C)
- Single lever operation to turn off both hot and cold water supplies

Product Codes

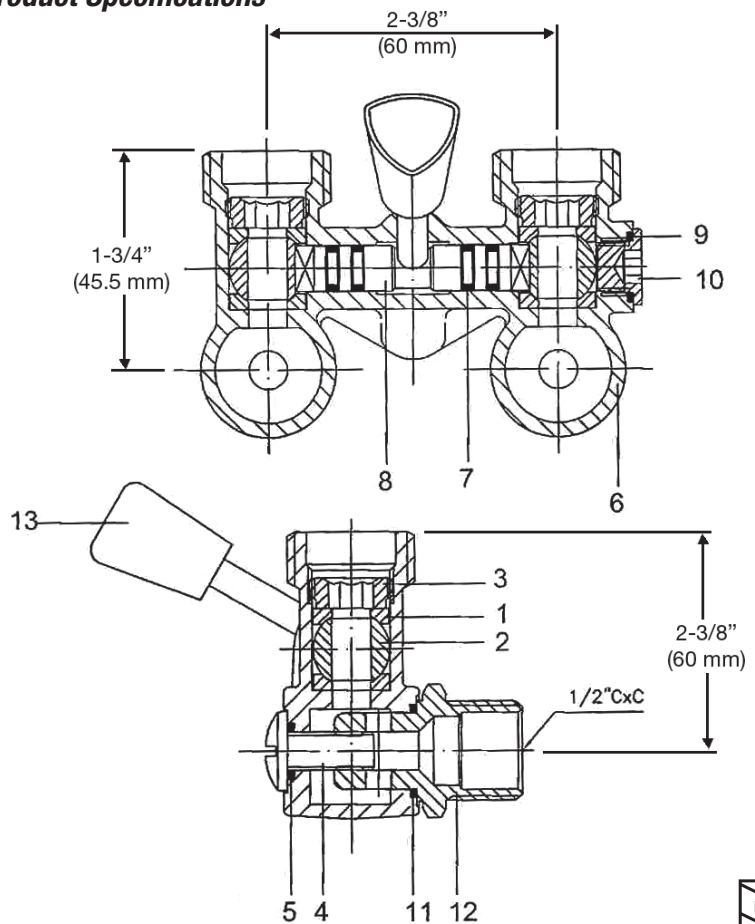
- PFS11D 1/2" FEM SWT WM Shutoff valve
 PFT11D 1/2" Male NPT or 1/2" FEM SWT WM shutoff valve



PFT11D

Product Specifications

No.	Part Name	Material	Qty.
1	Washer	Teflon	4
2	Ball	Brass	2
3	Seat (Renewable)	Brass	2
4	Screw	SUS-304	2
5	O-ring	NB00168F	2
6	Body	Brass	1
7	O-ring	NB00168F	4
8	Stem	Brass	1
9	O-ring	NB00168F	1
10	Stem Locker	Brass	1
11	O-ring	NB00168F	2
12 (PFS11D)	1/2" SWT Inlet	Brass	2
12 (PFT11D)	1/2" NPT or 1/2" SWT Inlet	Brass	2
13	Handle	Sus-304, ABS	1



Warranty and Codes

This PROFLO product carries a 1-year limited warranty.

