

PF92511



Cast Iron Submersible Sump Pump with Side Discharge

Product Features

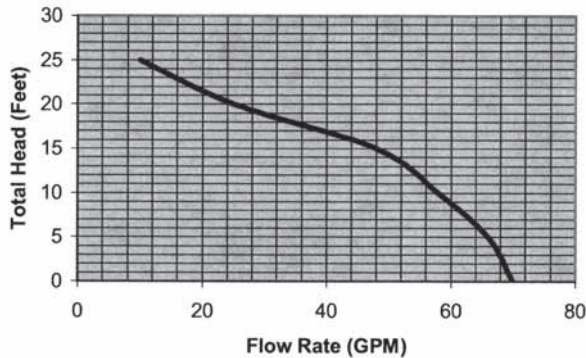
- 1/2 HP cast iron submersible sump pump with side discharge - vertical float
- Submersible sump pump for typical residential and commercial applications
- Comes with 10' power cord
- 7.6 amps, 912 watts
- Maximum head of 25 feet
- Maximum flow rate of 70 GPM
- Permanent split capacitor motor
- SJE Rhombus vertical float switch
- Liquid temperature range 32°-120°F
- Discharge size 1-1/2" FNPT
- Handles 1/2" solids
- Cast iron housing and base
- Glass reinforced nylon impeller



PF92511

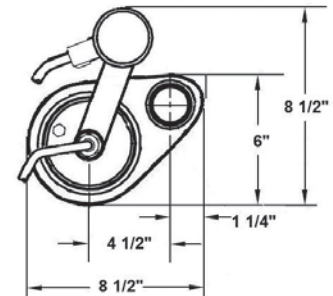
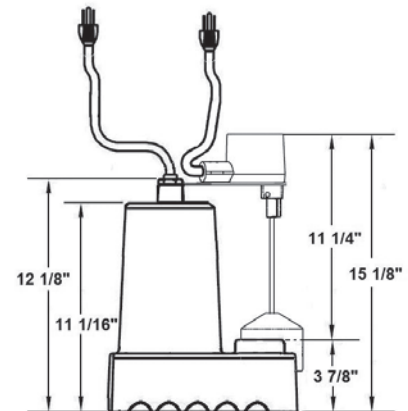
Product Specifications

Performance Curve



Performance Chart

| Discharge Height | 0' | 5' | 10' | 15' | 20' | 25' |
|--------------------|------|------|------|------|------|-----|
| Gallons per Minute | 70 | 66 | 58 | 48 | 25 | 10 |
| Gallons per Hour | 4200 | 3960 | 3480 | 2880 | 1500 | 600 |



Warranty and Codes

This product comes complete with installation, operating, care and maintenance instructions. This PROFLO pump carries a 5-year limited warranty. In an effort to continually improve our products, we will make design changes from time to time. We reserve the right to ship newly designed products to fill any order unless we agree in writing to do otherwise.

CALIFORNIA PROP 65 WARNING: This product may contain chemicals known to the State of California to cause cancer, birth defects or other reproductive harm.
Wash Hands After Handling.

