

PF92330

# Submersible Thermoplastic Sump Pump



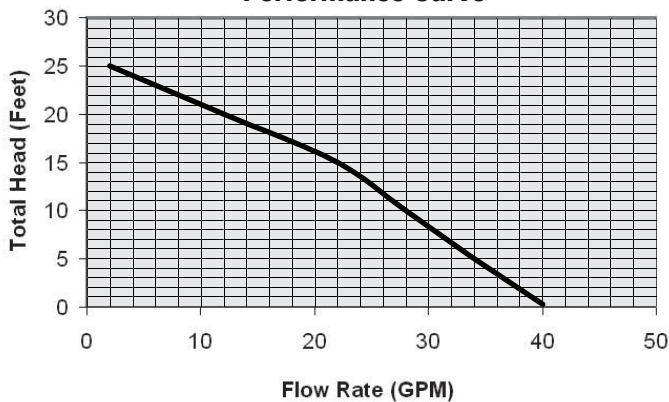
## Product Features

- 1/3 HP thermoplastic submersible sump pump with top discharge - tethered float
- Submersible sump pump for typical residential and commercial applications
- Comes with 10' power cord
- 4.1 amps, 486 watts
- Maximum head of 25 feet
- Maximum flow rate of 40 gpm
- Permanent split capacitor motor
- Wide Angle Mechanical Float Switch, Pump Mounted
- 1750 RPM
- Liquid temperature range 32° - 120° F
- Discharge size 1-1/4" - 1-1/2" FNPT
- Handles 1/8" solids



PF92330

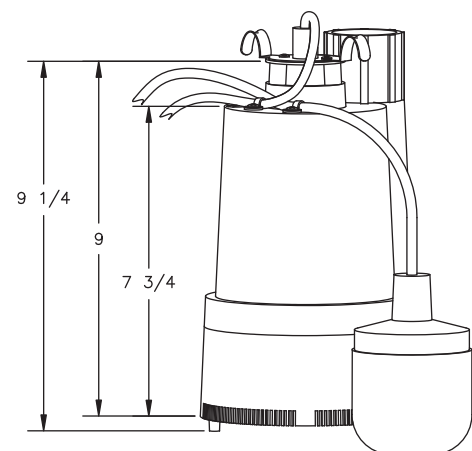
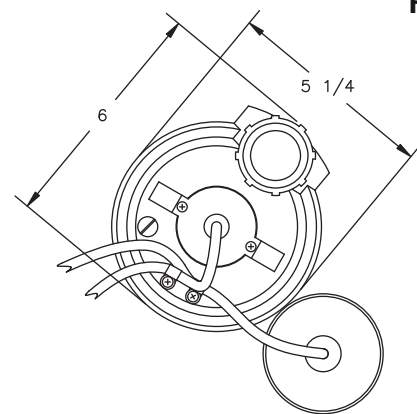
## Performance Curve



Discharge Height	0'	5'	10'	15'	20'	25'
Gallons per Minute	40	34	28	22	12	2
Gallons per Hour	2400	2040	1680	1320	720	120

## Warranty and Codes

This product comes complete with installation, operating, care and maintenance instructions. This PROFLO pump carries a 3-year limited warranty. In an effort to continually improve our products, we will make design changes from time to time. We reserve the right to ship newly designed products to fill any order unless we agree in writing to do otherwise.



## Construction

- Thermoplastic housing and base
- Thermoplastic Impeller



Distributed Exclusively by Ferguson and Wolseley Canada