

PFXBVHB



Low Lead Ball Valve Hose Bibb

Product Features

- Low lead compliant
- 1/4 Turn Operation
- 200 WWP (Working water pressure)
- Forged brass body
- Male threads (inlet) complies with ANSI / ASME B1.20.1
- Hose threads (outlet) complies with ANSI / ASME B1.20.7
- Temperature range 40°F to 160°F (5°C to 71°C)



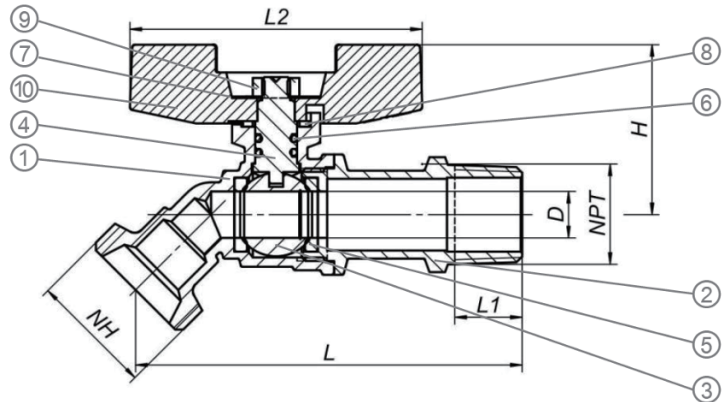
Model Numbers

- PFXBVHBD 1/2" MIP
- PFXBVHBF 3/4" MIP

SIZE	D	L	L1	L2	H	NPT	NH
1/2"	0.4	3.26	0.5	2.48	1.44	1/2-11.5NPT	3/4-NH
3/4"	0.5	3.83	0.57	2.48	1.44	3/4-11.5NPT	3/4-NH

Product Specifications

No.	Part Name	Material
1	Body	LF Brass
2	Male Bonnet	LF Brass
3	Ball	LF Brass
4	Stem	LF Brass
5	Seat	PTFE
6	O-ring	EPDM
7	Nameplate	AL Alloy
8	Packing Gland	PTFE
9	Hex Nut	Steel
10	Butterfly Handle	AL Alloy



Warranty and Codes

This PROFLO product carries a 1- year limited warranty.

