

Specifications

PFETCHB Series

Reusable Cap with House Bibbs



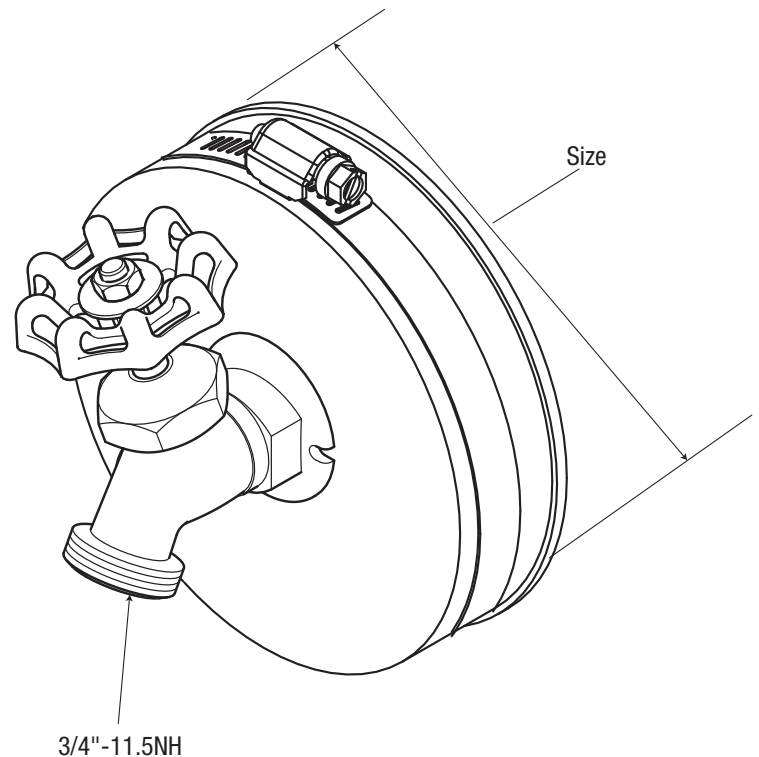
Product Features

- Heavy duty rubber cap with stainless steel clamp
- Used to test cast iron or SCH 40 pipe
- To install, simply place over open end of pipe and tighten to 60 in. lbs. torque
- For temporary use only



PFETCHBK

Model Number	Size	
	in	mm
PFETCHBJ	1-1/2	38.1
PFETCHBK	2	50.8
PFETCHBM	3	76.2
PFETCHBP	4	101.6
PFETCHBS	5	127
PFETCHBU	6	152.4



Warranty

This PROFLO product carries a 1-year limited warranty.