

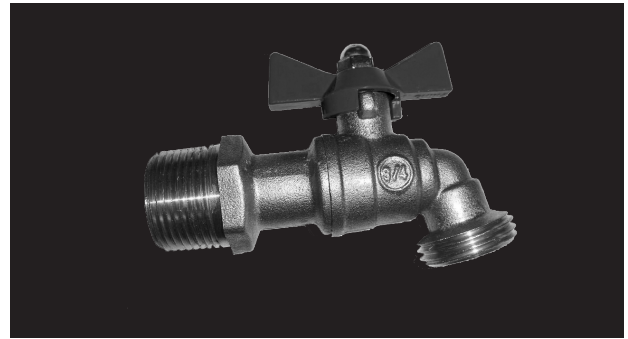
# Ball Valve Hose Bibb

## Product Features

- 1/4 Turn Operation
- 200 WOG
- Forged brass body
- Male threads (inlet) complies with ASME B1.20.1
- Hose threads (outlet) complies with ASME B1.20.7
- Temperature range (-30°F to 239°F)

## Model Numbers

- PFBVHBD** 1/2" MIP  
**PFBVHBF** 3/4" MIP

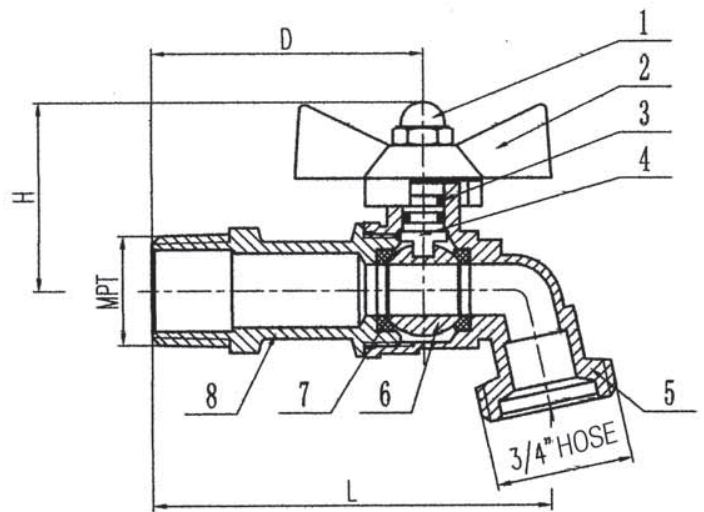


**PFBVHBD**

Size	L	D	H
1/2" (12.7mm)	3" (77mm)	2.1" (52.2mm)	1.5" (37mm)
3/4" (19mm)	3.2" (81mm)	2.2" (56.5mm)	1.5" (37mm)

No.	Part Name	Material
1	Hex Domed Cap Nut	Brass
2	Handle	Aluminum
3	O-ring	NBR
4	Stem	Brass
5	Body	Brass
6	Ball	Chrome Plated Brass
7	Seat	Teflon
8	End	Cap Brass

## Product Specifications



## Warranty and Codes

This PROFLO product carries a 1-year limited warranty.

**WARNING:** This product contains lead or lead compounds known to the State of California to cause cancer and birth defects and other reproductive harm. **Do not use in connection with drinking water. Wash hands after handling.**