

PF7010DC & PF7010FC

Economy Sillcocks



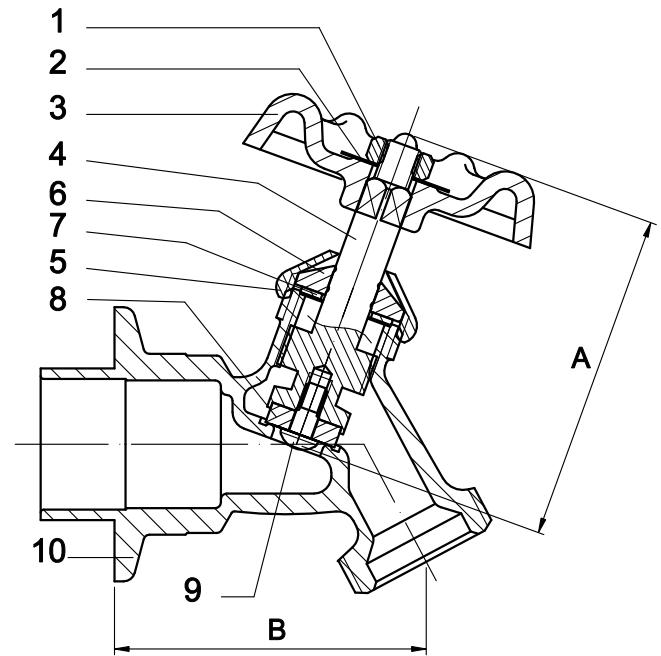
Product Features

- Brass body
- Angled
- 125 psi
- Working temperature: 40-160°F
- 3/4" Male hose thread outlet



PF7010DC

No.	Part Name	Material	QTY
1	Wheel Nut	V8	1
2	Name Plate	1050H18	1
3	Hand Wheel	FC20	1
4	Stem	B584-C857	1
5	Packing Nut	B16-C36000	1
6	Packing	NBR	1
7	Ring	304	1
8	Seat Packing	NBR	1
9	Packing Screw	C2600W	1
10	Body	B584-C857	1



SKU	DESCRIPTION	INLET CONNECTION	OUTLET CONNECTION	A (OPEN)		A (CLOSED)		B	
				in	mm	in	mm	in	mm
PF7010DC	1/2 BRS SWT ECON ANG SILL	1/2 SWT	3/4 MALE NH THREADED END	2.446	62.13	2.226	56.54	1.898	48.21
PF7010FC	1/2 BRS SWT ECON ANG SILL	3/4 SWT	3/4 MALE NH THREADED END	2.446	62.13	2.226	56.54	2.11	53.62

Warranty and Codes

This PROFLO product carries a 1-year limited warranty.

