

PF7002DC & PF7002FC



Economy Stop Valve

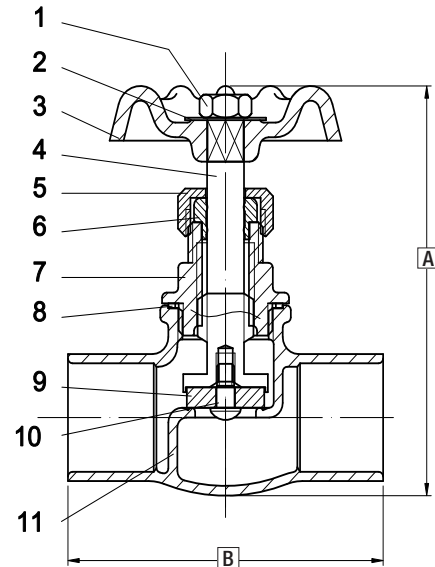
Product Features

- Brass body
- SWT connection
- 125 psi
- Working temperature: 40-160°F
- SWT x SWT connections



PF7002FC

No.	Part Name	Material	QTY
1	Wheel Nut	V8	1
2	Name Plate	1050H18	1
3	Hand Wheel	FC20	1
4	Stem	B584-C857	1
5	Packing Nut	B16-C36000	1
6	Packing	NBR	1
7	Bonnet	B584-C857	1
8	Washer	Nylon	1
9	Seat Packing	NBR	1
10	Packing Screw	C2600W	1
11	Body	B584-C857	1



SKU	DESCRIPTION	INLET CONNECTION	OUTLET CONNECTION	A (OPEN)		A (CLOSED)		B	
				in	mm	in	mm	in	mm
PF7002DC	1/2 BRS SWT ECON ST	1/2 SWT	1/2 SWT	3.417	86.8	3.185	80.9	2.1	53.3
PF7002FC	3/4 BRS SWT ECON ST	3/4 SWT	3/4 SWT	3.614	91.8	3.303	83.9	2.725	69.2

Warranty and Codes

This PROFLO product carries a 1-year limited warranty.

WARNING: This product contains lead or lead compounds known to the State of California to cause cancer and birth defects and other reproductive harm. **Do not use in connection with drinking water. Wash hands after handling.**

