

Straight Stop & Waste Valves

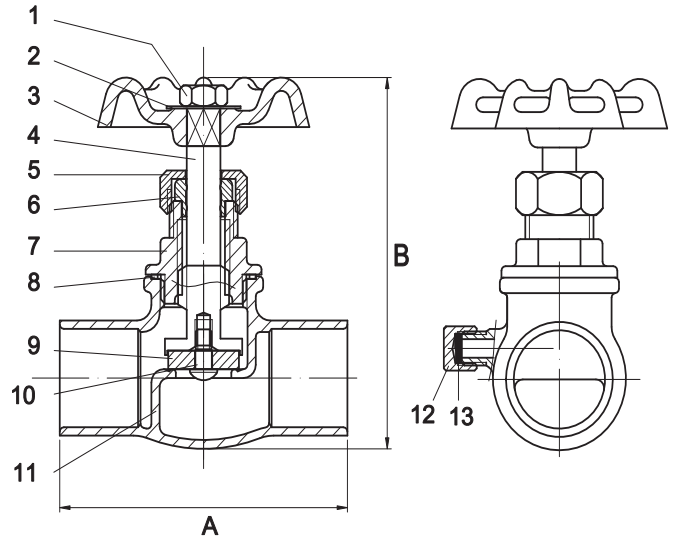
Product Features

- Brass body
- SWT x SWT connections
- 125 psi
- Operating temperature: 40-160°F
- Includes waste cap



PF60SDC

No.	Part Name	Material
1	Wheel Nut	V8
2	Name Plate	1050H18
3	Hand Wheel	FC20
4	Stem	B584-C857
5	Packing Nut	B16-C36000
6	Packing	NBR
7	Bonnet	B584-C857
8	Washer	Nylon
9	Seat Packing	NBR
10	Packing Screw	C26000W
11	Body	B584-C857
12	Screw	B16-C3600
13	Packing	NBR



SKU	DESCRIPTION	INLET CONNECTION	OUTLET CONNECTION	A (OPEN)		A (CLOSED)		B	
				in	mm	in	mm	in	mm
PF60SDC	1/2 BRS SWT STRT S&W	1/2 SWT	1/2 SWT	3.417	86.8	3.185	80.9	2.126	54
PF60SFC	3/4 BRS SWT STRT S&W	3/4 SWT	3/4 SWT	3.614	91.8	3.303	83.9	2.79	70.9

Warranty and Codes

This PROFLO product carries a 1-year limited warranty.

WARNING: This product contains lead or lead compounds known to the State of California to cause cancer and birth defects and other reproductive harm. **Do not use in connection with drinking water. Wash hands after handling.**

