

# Straight Stop & Waste Valve IPS

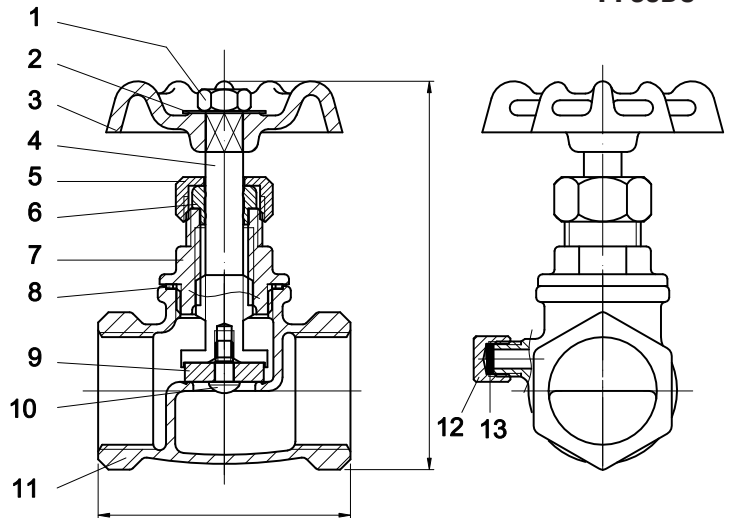
## Product Features

- Brass body
- FEM x FEM connections
- 125 psi
- Operating temperature: 40-160°F
- Includes waste cap

No.	Part Name	Material	QTY
1	Wheel Nut	V8	1
2	Name Plate	1050H18	1
3	Hand Wheel	FC20	1
4	Stem	B584-C857	1
5	Packing Nut	B16-C36000	1
6	Packing	NBR	1
7	Bonnet	B584-C857	1
8	Washer	Nylon	1
9	Seat Packing	NBR	1
10	Packing Screw	C26000W	1
11	Body	B584-C857	1
12	Screw	B16-C3600	1
13	Packing	NBR	1



PF60DC



SKU	DESCRIPTION	INLET CONNECTION	OUTLET CONNECTION	A (OPEN)		A (CLOSED)		B	
				in	mm	in	mm	in	mm
PF60DC	1/2 BRS IPS STRT S&W	1/2 FIP NPT THREADED END	1/2 FFIP NPT THREADED END	3.51	89.1	3.21	81.5	2.13	54.1
PF60FC	3/4 BRS IPS STRT S&W	3/4 FIP NPT THREADED END	3/4 FIP NPT THREADED END	3.66	92.9	3.55	90.2	2.21	56.1

## Warranty and Codes

This PROFLO product carries a 1-year limited warranty.

**WARNING:** This product contains lead or lead compounds known to the State of California to cause cancer and birth defects and other reproductive harm. **Do not use in connection with drinking water. Wash hands after handling.**

