



Straight Stop Valve

Product Features

- Brass body
- SWT x SWT connections
- 125 psi
- Operating temperature: 40-160°F

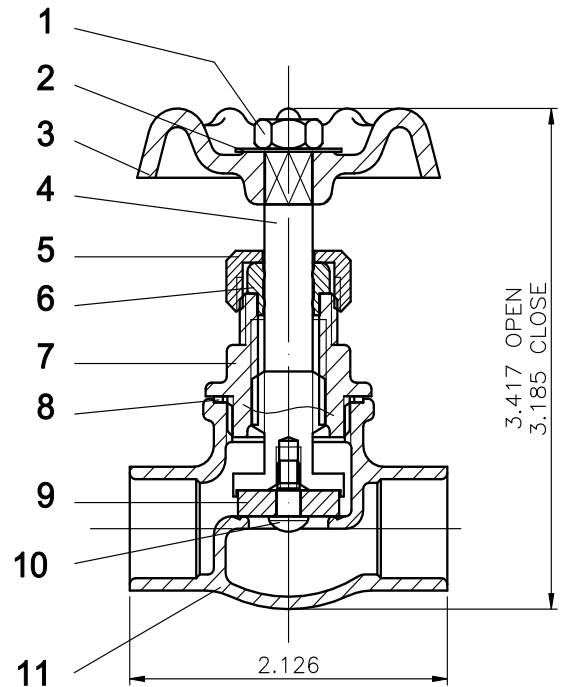
Model Numbers

- PF50SDC 1/2 BRS SWT STRT ST VLV
 PF50SFC 3/4 BRS SWT STRT ST VLV



PF50SFC

No.	Part Name	Material	QTY
1	Wheel Nut	V8	1
2	Name Plate	1050H418	1
3	Hand Wheel	FC20	1
4	Stem	B584-C857	1
5	Packing Nut	B16-C36000	1
6	Packing	NBR	1
7	Bonnet	B584-C857	1
8	Washer	Nylon	1
9	Seat Packing	NBR	1
10	Packing Screw	C26000W	1
11	Body	B584-C857	1



Warranty and Codes

This PROFLO product carries a 1-year limited warranty.

WARNING: This product contains lead or lead compounds known to the State of California to cause cancer and birth defects and other reproductive harm. **Do not use in connection with drinking water. Wash hands after handling.**

