



Hose Bibbs with Backflow Preventer

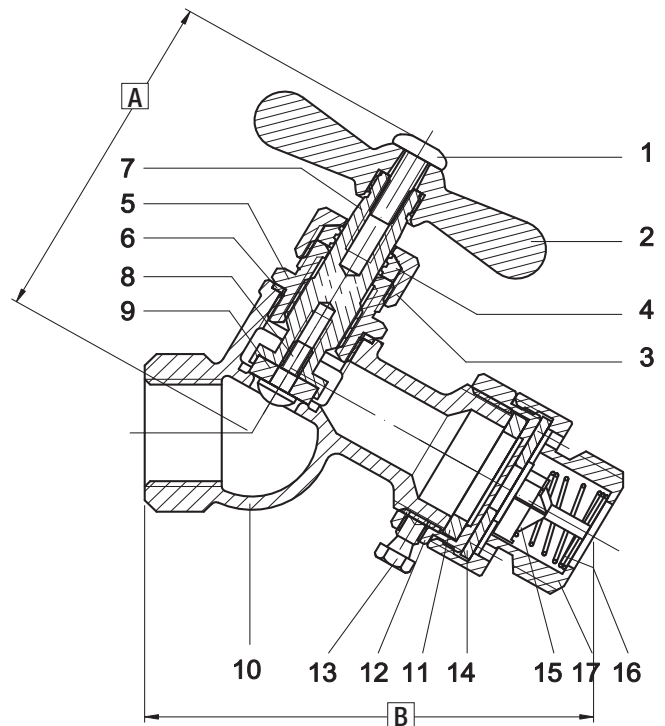
Product Features

- Includes back-flow preventer
- Bronze body
- 125 psi
- Operating temperature: 40-160°F
- 3/4" Male hose thread outlet



PF110FBFPC

| No. | Part Name | Material | QTY |
|-----|------------------|------------|-----|
| 1 | Screw | Stainless | 1 |
| 2 | Handle | Zinc | 1 |
| 3 | Nut | Brass | 1 |
| 4 | Packing | NBR | 1 |
| 5 | Bonnet | Brass | 1 |
| 6 | Washer | Vulcanized | 1 |
| 7 | Stem | Brass | 1 |
| 8 | Seat | NBR | 1 |
| 9 | Screw | Stainless | 1 |
| 10 | Body | Bronze | 1 |
| 11 | Washer | NBR | 1 |
| 12 | Adapter | Brass | 1 |
| 13 | Set Screw | Brass | 1 |
| 14 | Packing | NBR | 1 |
| 15 | Spring Base | POM | 1 |
| 16 | Spring | Stainless | 1 |
| 17 | Check Valve Body | Brass | 1 |



| SKU | DESCRIPTION | INLET CONNECTION | OUTLET CONNECTION | A (OPEN) | | A (CLOSED) | | B | |
|------------|-------------------------|--------------------------|--------------------------|----------|------|------------|------|-------|------|
| | | | | in | mm | in | mm | in | mm |
| PF104DBFPC | 1/2 SWT HOSE BIBB W/BFP | 1/2 SWT | 3/4 MALE NH THREADED END | 2.67 | 67.8 | 2.484 | 63.1 | 3.803 | 96.6 |
| PF105DBFPC | 1/2 FIP HOSE BIBB W/BFP | 1/2 FIP NPT THREADED END | 3/4 MALE NH THREADED END | 2.67 | 67.8 | 2.484 | 63.1 | 3.212 | 81.6 |
| PF110FBFPC | 3/4 FIP HOSE BIBB W/BFP | 3/4 FIP NPT THREADED END | 3/4 MALE NH THREADED END | 2.67 | 67.8 | 2.484 | 63.1 | 3.212 | 81.6 |

Warranty and Codes

This PROFLO product carries a 1-year limited warranty.

WARNING: This product contains lead or lead compounds known to the State of California to cause cancer and birth defects and other reproductive harm. Do not use in connection with drinking water. Wash hands after handling.

