



Hose Bibbs
No-Kink

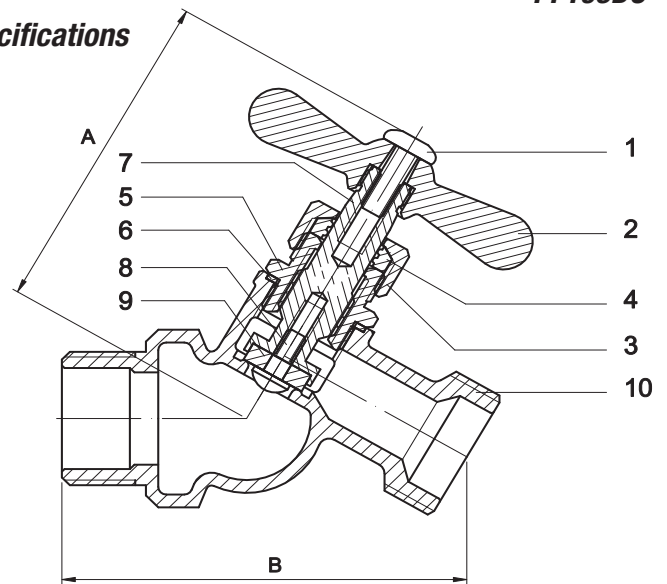
Product Features

- Heavy pattern rough bronze
- Stainless steel handle screw and seat screw
- Made in Taiwan
- Pressure rating: 100 psi
- Working pressure: 25 - 125 psi
- Working temperature: 40 -160°F
- Product conforms to ASMEA112.18.1/ CSAB125.1
- NPT threads comply with ASME B1.20.1
- Hose threads comply with ASME B1.20.7



PF103DC

Product Specifications



NO	Part	Material	Qty
1	SCREW	STAINLESS	1
2	HANDLE	ZINC	1
3	NUT	BRASS	1
4	PACKING	NBR	1
5	BONNET	BRASS	1
6	WASHER	VULCANIZED	1
7	STEM	BRASS	1
8	SEAT	NBR	1
9	SCREW	STAINLESS	1
10	BODY	BRONZE	1

ITEM	DESCRIPTION	A (open)		A (closed)		B	
		In	mm	In	mm	In	mm
PF103DC	1/2" MIP x 3/4" HOSE	2.67	67.8	2.484	63.1	3.017	76.6
PF109FC	3/4" MIP x 3/4" HOSE	2.67	67.8	2.484	63.1	2.977	75.6

Warranty and Codes

This PROFLO product carries a 1-year limited warranty

