

PFXT300

Low Lead Threaded Gate Valves



Product Features

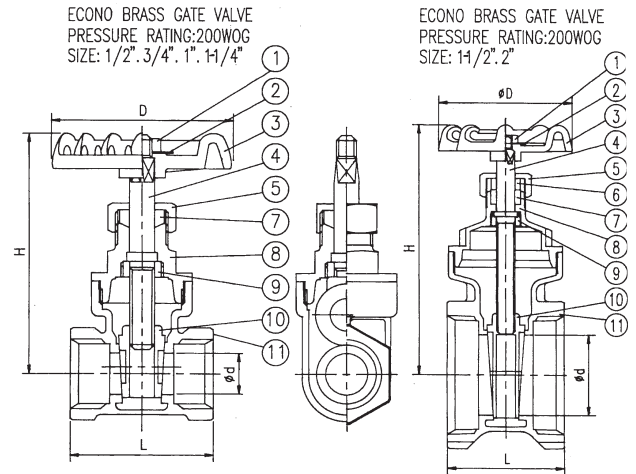
- Economy Brass Gate Valve
- Threaded ends
- Solid wedge disc
- Non-rising Stem
- Pressure Rating: 200 WOG
- Not steam rated
- Temperature rating: 180°F
- Low Lead Compliant
- Not for use at or below ground level



PFXT300D

Product Specifications

| NO | PART | MATERIAL | SPEC. JIS | SPEC. ASTM |
|----|---------------|---------------------|-----------------|---|
| 1 | Wheel Nut | Steel | S10C | AISI-1010 |
| 2 | Name Plate | Aluminum | A1100P | B209-1100 |
| 3 | Hand Wheel | Cast Iron | FC20 | A48 CLASS/NO.35 |
| 4 | Stem | No-lead Brass | C3604B | B16-C36000 |
| 5 | Packing Nut | Brass Cast Brass | C3604B YBSC3 | B16-C36000 (1/2"-1 1/4") B584-C85700 (1 1/2"-4") |
| 6 | Gland | Brass | C3604B | B16-C36000 |
| 7 | Gland Packing | Graphite | Commercial | Commercial |
| 8 | Bonnet | No-lead Brass | YBSC3 | B584-C85700 |
| 9 | Locking Nut | No-lead Brass | C3604B | B16-C36000 |
| 10 | Disc | No-lead Brass | YBSC3 | B584-C85700 |
| 11 | Body | No-lead Brass | YBSC3 | B584-C85700 |



| MODEL | SIZE | | L | | H | | D | | d | |
|----------|-------|------|------|------|------|-------|------|------|------|------|
| | in | mm | in | mm | in | mm | in | mm | in | mm |
| PFXT300D | 1/2 | 12.7 | 1.54 | 39.0 | 2.72 | 69.0 | 2.13 | 54.0 | 0.47 | 12.0 |
| PFXT300F | 3/4 | 19.1 | 1.71 | 43.5 | 2.84 | 72.0 | 2.13 | 54.0 | 0.57 | 14.5 |
| PFXT300G | 1 | 25.4 | 1.85 | 47.0 | 3.31 | 84.0 | 2.13 | 54.0 | 0.75 | 19.0 |
| PFXT300H | 1-1/4 | 31.8 | 2.09 | 53.0 | 3.86 | 98.0 | 2.40 | 61.0 | 0.94 | 24.0 |
| PFXT300J | 1-1/2 | 38.1 | 2.24 | 57.0 | 4.57 | 116.0 | 3.03 | 77.0 | 1.25 | 31.7 |
| PFXT300K | 2 | 50.8 | 2.40 | 61.0 | 4.92 | 125.0 | 3.03 | 77.0 | 1.48 | 37.5 |

Warranty and Codes

This PROFLO product carries a 1-year limited warranty.

Distributed Exclusively by Ferguson and Wolseley Canada



Certified to ANS/NSF 61