



PFT300 Threaded Gate Valves

Product Features

- Economy brass gate valve
- Threaded ends
- Solid wedge disc
- Non-rising stem
- Pressure Rating: 200 WOG
- Not steam rated
- Temperature Rating: 180°F
- Not for use at or below ground level
- Not for potable use

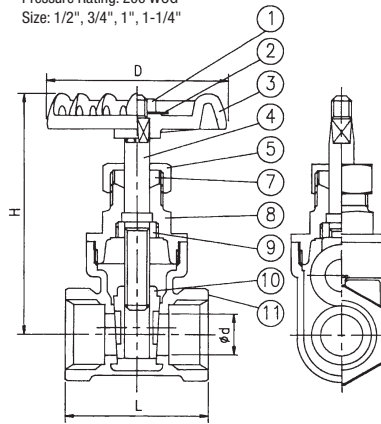


PFT300D

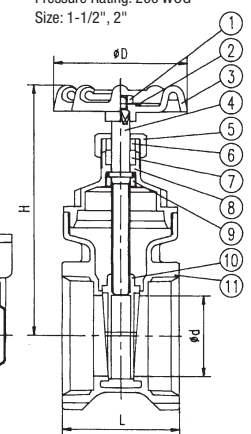
Product Specifications

No.	Item	Material	Spec Jis	Spec ASTM
1	Wheel Nut	Steel	S10C	AISI-1010
2	Name Plate	Aluminum	A1100P	B209-1100
3	Hand Wheel	Aluminum	ADC12	B85-383
4	Stem	Brass	C3604B	B16-C36000
5	Packing Nut	Brass Cast Brass	C3604B C3771B	B16-C36000 (1/2"-1-1/4") B124-C37700 (1-1/2"-4")
6	Gland	Brass	C3604B	B16-C36000
7	Gland Packing	Graphite	Commercial	Commercial
8	Bonnet	Brass	C3771B	B124-C37700
9	Lock Nut	Brass	C3604B	B16-C36000
10	Disc	Brass	C3771B CAC203	B124-C37700 (1/2"-2-1/2") B584-C85700 (3"-4")
11	Body	Brass	CAC203	B584-C85700

Economy Brass Gate Valve
Pressure Rating: 200 WOG
Size: 1/2", 3/4", 1", 1-1/4"



Economy Brass Gate Valve
Pressure Rating: 200 WOG
Size: 1-1/2", 2"



Model Number	Size		L		H		D		d	
	in	mm	in	mm	in	mm	in	mm	in	mm
PFT300D	1/2	12.7	1.54	39.0	2.72	69.0	2.13	54.0	0.47	12.0
PFT300F	3/4	19.1	1.71	43.5	2.84	72.0	2.13	54.0	0.57	14.5
PFT300G	1	25.4	1.85	47.0	3.31	84.0	2.13	54.0	0.75	19.0
PFT300H	1-1/4	31.8	2.09	53.0	3.86	98.0	2.40	61.0	0.94	24.0
PFT300J	1-1/2	38.1	2.24	57.0	4.57	116.0	3.03	77.0	1.25	31.7
PFT300K	2	50.8	2.40	61.0	4.92	125.0	3.03	77.0	1.48	37.5
PFT300L	2-1/2	63.5	2.80	71.0	6.02	153.0	3.27	83.0	1.94	49.3
PFT300M	3	76.2	3.43	87.0	7.32	186.0	4.13	105.0	2.48	63.0
PFT300P	4	101.6	3.96	100.5	8.74/8.66	222/220	5.12/4.41	130/112	2.95	75.0

Warranty and Codes

This PROFLO product carries a 1-year limited warranty.

CALIFORNIA PROP 65 WARNING: This product contains lead or lead compounds known to the State of California to cause cancer and birth defects and other reproductive harm. Do not use in connection with drinking water. Wash hands after handling.