

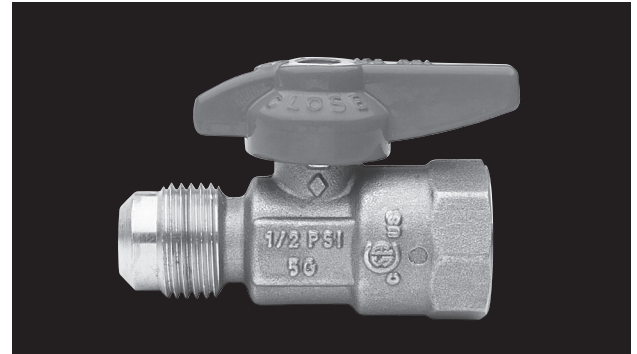
PF9281



FIP-Flare Gas Ball Valve

Product Features

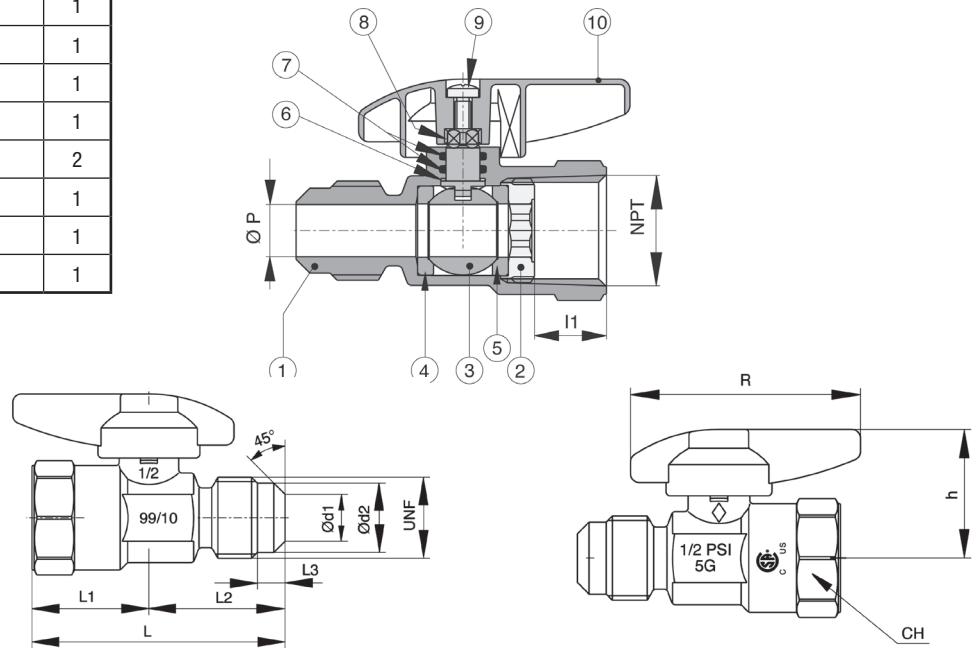
- Gas ball valve unibody design, standard port, female end-flare end
- Blow out proof stem, chrome plated brass ball
- PTFE seats
- 100% electronically tested in the open and closed position at 80 PSI
- One piece body
- Not for use at or below ground level



PF9281FDC

Part Name	Material	# PCS
1 Body	Brass CW 617N UNI EN 12165	1
2 Retaining Nut	Brass CW 614N UNI EN 12164	1
3 Ball	Brass CW 614N UNI EN 12164	1
4 Ball Seat	PTFE	1
5 Ball Seat	PTFE	1
6 Thrust Washer	PTFE	1
7 O Ring	NBR	2
8 Stem	Brass CW 614N UNI EN 12164	1
9 Screw	Steel 6/S	1
10 Handle	ZAMA G Zn A14 UNI 3717	1

Product Specification



	Size	UNF	NPT	øP	l1	L	L1	L2	L3	ød1	ød2	R	CH	h	lbs
PF9281FDC	1/2" FIP x 3/8" Flare	5/8" x 18	1/2" x 14	0.27	0.54	2.24	1.08	1.16	0.21	0.31	0.53	2.05	0.98	1.06	0.20
PF9281FDD	1/2" FIP x 1/2" Flare	3/4" x 16	1/2" x 14	0.39	0.56	2.34	1.08	1.26	0.25	0.43	0.64	2.05	0.98	1.14	0.31

Warranty and Codes

This PROFLO product carries a 1-year limited warranty.

- CAN 1-9.1 U.S., requirements 3-88
- CGA CR 91-002, ANSI Z21.15
- UL 125 "LP GAS", UL 842 - subject 258



Distributed Exclusively by Ferguson and Wolseley Canada