

Specifications

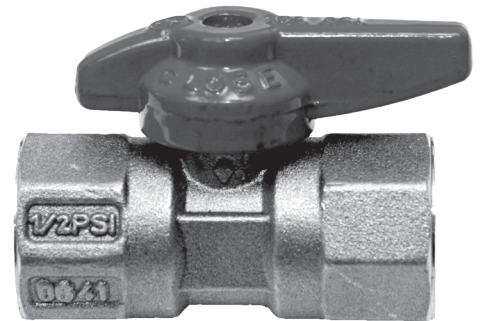
PF9280 Series

Gas Ball Valve



Product Features

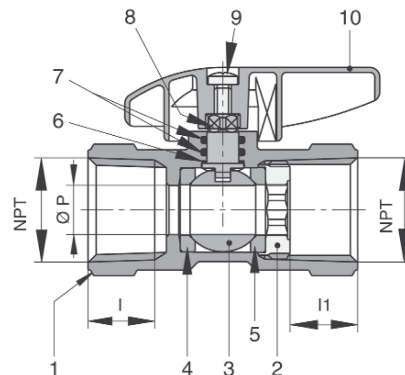
- Gas ball valve unibody design, standard port, threaded end
- Blow out-proof stem, chrome-plated brass ball
- PTFE seats
- 100% electronically tested in the open and closed position at 80 PSI
- One-piece body
- 5 PSI for indoor shutoff per CGA 91-002
- Not for use at or below ground level
- Acceptable for operation at an ambient temperature of -20°F to 150°F (-29°C to 66°C)
- CSA certified
- Certified to ASME B16.33 and ASME B16.38



PF9280C

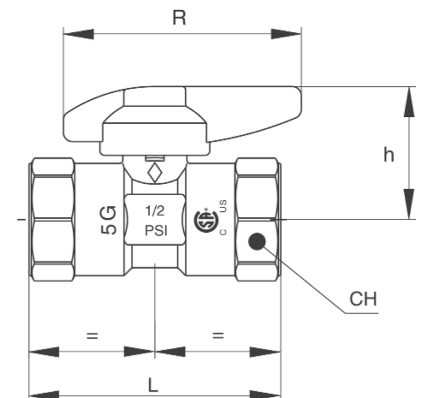
Parts

Part Name	Material	Qty
1 Body	Brass CW 617N UNI EN 12165	1
2 Retaining Nut	Brass CW 614N UNI EN 12164	1
3 Ball	Brass CW 614N UNI EN 12164	1
4 Ball Seat	PTFE	1
5 Ball Seat	PTFE	1
6 Thrust Washer	PTFE	1
7 O Ring	NBR	2
8 Stem	Brass CW 614N UNI EN 12164	1
9 Screw	Steel 6/S	1
10 Handle	ZAMA G Zn A14 UNI 3717	1



Product Specifications

	Size	øP	I	I1	L	R	CH	h	lbs
PF9280C	3/8" FIP x 3/8" FIP	0.31	0.40	0.40	1.69	2.05	0.78	1.06	0.20
PF9280D	1/2" FIP x 1/2" FIP	0.39	0.53	0.54	2.16	2.05	0.98	1.14	0.31
PF9280F	3/4" FIP x 3/4" FIP	0.47	0.55	0.56	2.36	2.05	1.22	1.28	0.49



Warranty and Codes

This PROFLO product carries a 1-year limited warranty. CAN 1-9.1, U.S. requirements 3-88, CGA CR 91-002, ANSI Z21.15 UL 125 "LP GAS", UL 842 - subject 258, Connection: ANSI B 1.20.1

CALIFORNIA PROP 65 WARNING: This product may contain chemicals known to the State of California to cause cancer, birth defects or other reproductive harm.

Wash Hands After Handling.

