

PF87C / PF88C Series Two-Piece Gas Ball Valve



Product Features

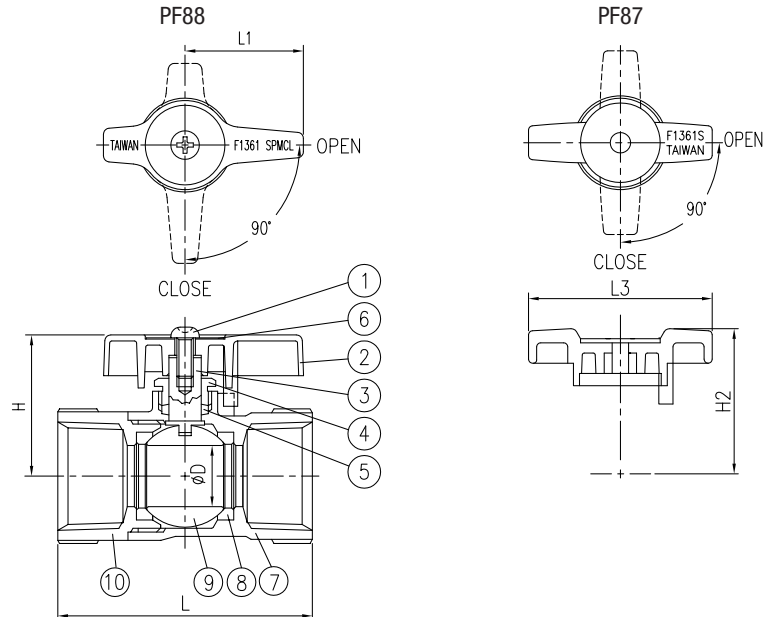
- For indoor/outdoor use
- 400 PSI CWP rated
- 1/2 PSI for indoor appliance connections per ANSI Z21.15 and CGA 9.1a
- 5 PSI for indoor shutoff per CGA 91-002 and ASME B16.44



PF88CD

Product Specifications

No.	Item	Pieces	Material	Spec
1	Screw	1	AISI-1010	N/A
2	Handle	1	B86-AC41 or B85	ASTM
3	Stem	1	B16-C36000	ASTM
4	Stem Gland Screw	1	B16-C36000	ASTM
5	Gland Packing	1	PTFE	Teflon
6	Name Plate	1	B209-1100	ASTM
7	Body	1	B124-C37700	ASTM
8	Ball Disc Teflon	2	PTFE	Teflon
9	Ball Disc	1	B16-C36000	ASTM
10	End Plug	1	B124-C37700	ASTM



Model Number	Part	Size	L	H	D	H1	L1*	L2
PF87CD	1/2" Brass T-Handle	1/2"	2.17"	1.30"	0.39"	N/A	1.77"	N/A
PF87CF	3/4" Brass T-Handle	3/4"	2.44"	1.42"	0.59"	N/A	1.77"	N/A
PF87CG	1" Brass T-Handle	1"	2.87"	1.71"	0.79"	N/A	2.76"	N/A
PF88CD	1/2" Brass Lever Handle	1/2"	2.17"	1.22"	0.39"	1.46"	1.14"	0.52"
PF88CF	3/4" Brass Lever Handle	3/4"	2.44"	1.38"	0.59"	1.61"	1.14"	0.52"
PF88CG	1" Brass Lever Handle	1"	2.87"	1.65"	0.79"	1.89"	1.57"	0.67"

Warranty and Codes

This PROFLO product carries a 1-year limited warranty. AGA, UL, CGA, CSA by ANSI Z21.15.

