

Swing Check Valve

Product Features

- 200 psi WOG
- Material: Brass
- Not for use at or below ground level
- Not for potable use

Product Numbers

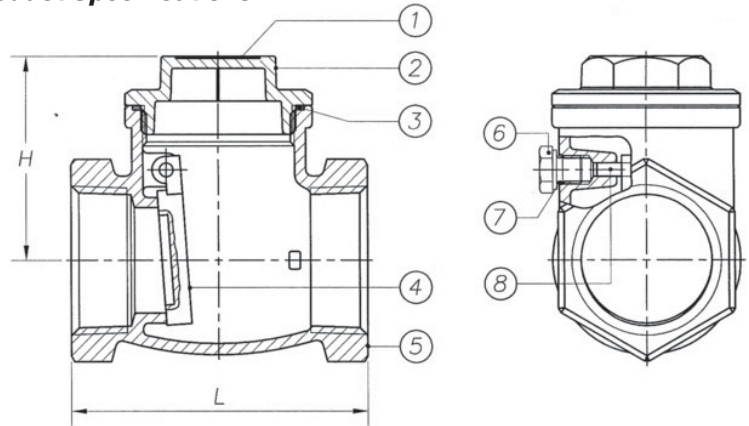
- PF31 Fem IPS Connection
 PF31S Solder Connection



PF31

	PART NAME	MATERIAL
1	Names Plate	ALUMINIUM A1100
2	Cap	Brass B584 C85710
3	Packing	NON - ASBESTOS TEADIT NA ·1005
4	Disc	Brass B584 C85710
5	Body	Brass B584 C85710
6	Bolt	Brass B16 C36000
7	O Ring	VITON FK - 70
8	Pin	Brass B124 C37700

Product Specifications



		PF31D 1/2"		PF31F 3/4"		PF31G 1"		PF31H 1-1/4"		PF31J 1-1/2"		PF31K 2"		PF31L 2-1/2"		PF31M 3"		PF31P 4"	
		in	mm	in	mm	in	mm	in	mm	in	mm	in	mm	in	mm	in	mm	in	mm
A	Center of port to top of cap	1.42	36	1.59	39.5	1.77	45	2.07	52.5	2.17	55	2.74	69.5	3.09	78.5	3.80	96.5	4.25	108
A1	Center of port to top of cap	1.40	35.5	1.52	38.5	1.73	44	2.07	52.5	2.13	54	2.68	68						
B	End to end	2.09	53	2.36	60	2.62	66.5	3.19	81	3.54	90	4.21	107	5.14	130.5	5.77	146.5	6.84	173.7
B1	End to end	2.40	61	3.15	80	3.50	89	4.15	105.5	4.57	116	5.47	139						
C	Overall height	2.13	54	2.30	58.5	2.62	66.5	3.07	78	3.43	87	4.21	107	4.98	126.5	6.02	153	7.68	795
C1	Overall height	2.13	54	2.30	58.5	2.62	66.5	3.07	78	3.43	87	4.21	107						
	Weight lbs. Thd.	0.40		0.55		0.76		1.34		1.65		2.58		4.62		6.78		11.13	
	Weight lbs. Swt.	0.38		0.52		0.78		1.38		1.71		2.71							

WARNING: This product contains lead or lead compounds known to the State of California to cause cancer and birth defects and other reproductive harm. Do not use in connection with drinking water. Wash hands after handling.

Warranty and Codes

This PROFLO product carries a 1-year limited warranty



"Not for potable use"