



Product Features

- Full Port 2 piece Ball Valve
- 400 WOG
- IAPMO Approved, NSF Rated
- PEX end designed to ASTM F-1807

Model Numbers

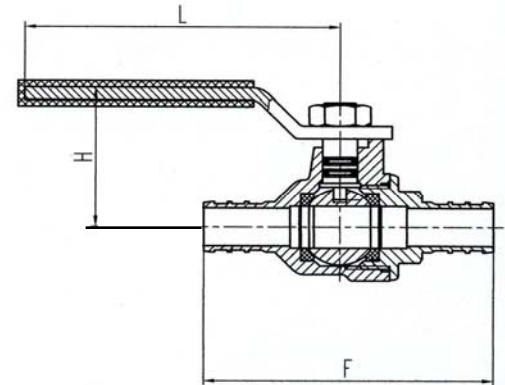
- PFX462D** 1/2" LF PEX Ball Valve
- PFX462F** 3/4" LF PEX Ball Valve
- PFX462G** 1" LF PEX Ball Valve

Product Specifications

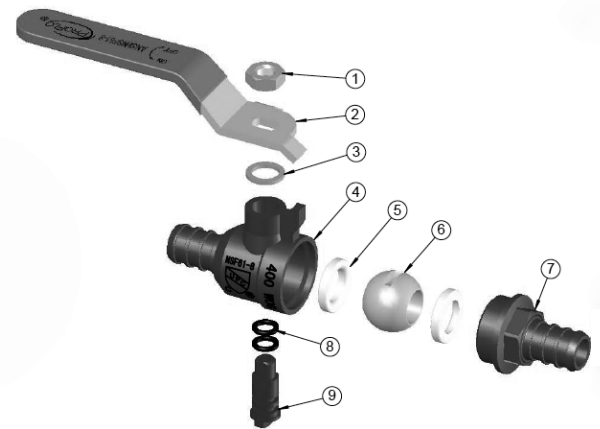
Part No.	Desc	L		H		F	
		in	mm	in	mm	in	mm
PFX462D	1/2" PEX BV	2.952	75	1.488	37.8	2.519	64
PFX462F	3/4" PEX BV	3.169	80.5	1.566	39.8	2.618	66.5
PFX462G	1" PEX BV	4.173	106	1.968	50	3.228	82



PFX462D



Item No.	Part Name	Qty	Material
1	Hex Nut	1	Steel
2	Handle	1	Steel
3	Washer	1	PTFE
4	Body	1	Brass
5	Seats	2	PTFE
6	Ball	1	Brass
7	End Adapter	1	Brass
8	O-ring	2	EPDM
9	Stem	1	Brass



Warranty and Codes

This PROFLO product carries a 1-year limited warranty. IAPMO Approved.

