

PF439

Hot Water Union Elbow



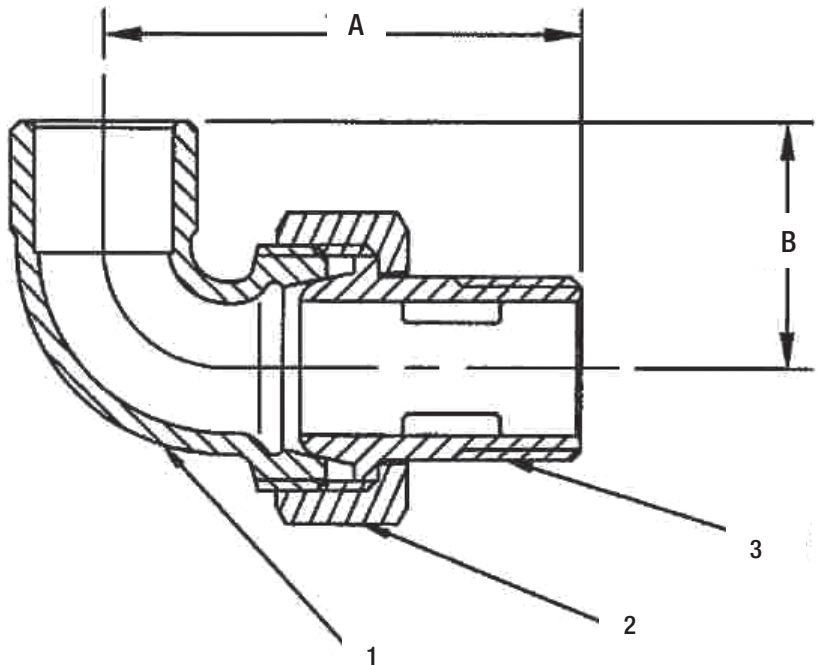
Product Features

- For use on heating applications
- Forged brass tailpiece
- Working pressure: 15 PSI WSP
- 60 PSI Hotwater, non-shock
- Threads comply with ANSI B1.20.1
- Solder joint dimensions comply with ANSI B16.18
- Includes bronze nut and elbow
- Male union
- SWT x MIP connection



PF439D

	Size	A		B	
		in	mm	in	mm
PF439D	1/2"	2.13	54.0	1.12	28.5
PF439F	3/4"	2.42	61.5	1.50	38.0



No.	Part Name	Material	Spec. ASTM
1	Body	Cast Bronze	B584-C84400
2	Union Nut	Cast Bronze	B584-C84400
3	Tail Piece	Forged Brass	B124-C37700

Warranty and Codes

This PROFLO product carries a 1-year limited warranty. This product meets ANSI: B 1.20.1 and B16.18.

Distributed Exclusively by Ferguson and Wolseley Canada