



Hot Water Radiator Valve - Angle

Product Features

- For use on heating applications
- Working pressure: 15 PSI WSP
- 60 PSI hot water, non-shock
- Threads comply with ANSI B1.20.1
- FIP x MIP connections
- Includes nut and tailpiece

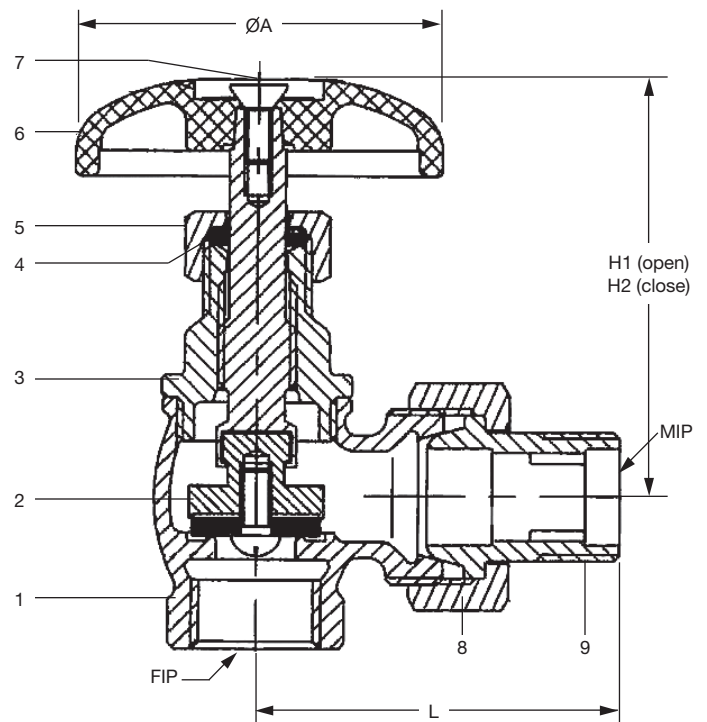


PF437G

		L		H1		H2		ØA	
	size	in	mm	in	mm	in	mm	in	mm
PF437D	1/2"	2.13	54	2.76	70	2.32	59	2.24	57
PF437F	3/4"	2.48	63	2.83	72	2.40	61	2.24	57
PF437G	1"	3.07	78	3.58	91	2.99	76	2.24	57
PF437H	1-1/4"	3.23	82	4.02	102	3.39	86	2.24	57

No.	Part Name	Material	Spec. ASTM
1	Body	Cast Bronze	B584-C84400
2	Stem	Brass	B16-C36000
3	Bonnet	Forged Brass	B124-C37700
4	Packing	Teflon	PTFE
5	Packing Nut	Brass	B16-C36000
6	Hand Wheel	Phenolic Resin	
7	Screw	Brass	B16-C36000
8	Union Nut	Cast Bronze	B584-C84400
9	Tailpiece	Forged Brass	B124-C37700

Product Specifications



Warranty and Codes

This PROFLO product carries a 1-year limited warranty.