

PF436

Hot Water Radiator Valve - Angle



Product Features

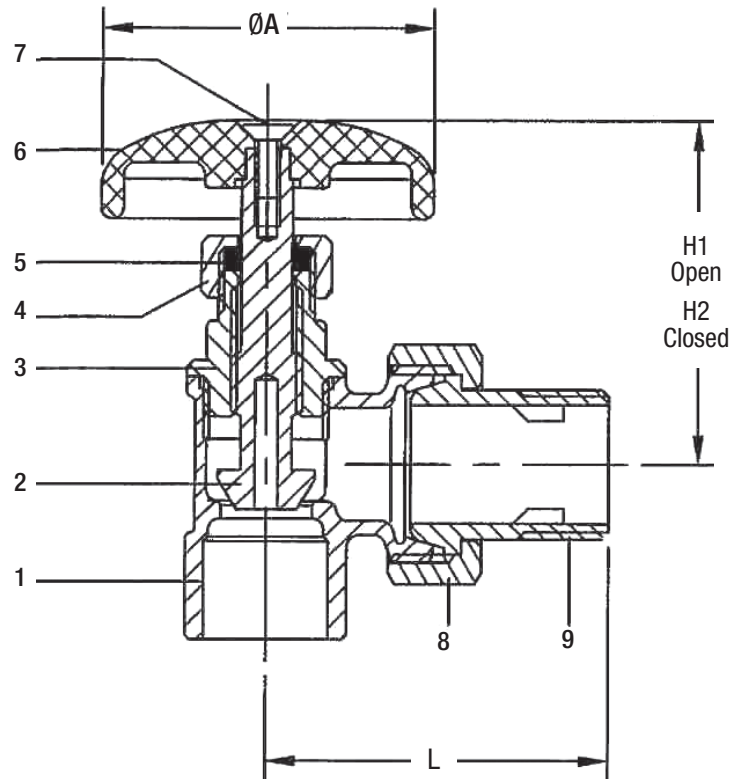
- For use on heating applications
- Working pressure: 15 PSI WSP
- 60 PSI Hotwater, non-shock
- Threads comply with ANSI B1.20.1
- Solder joint dimensions comply with ANSI B16.18
- Includes nut and tailpiece
- SWT x MIP connection



PF436D

	Size	L		H1		H2		ØA	
		in	mm	in	mm	in	mm	in	mm
PF436D	1/2"	2.13	54	2.76	70	2.32	59	2.24	57
PF436F	3/4"	2.48	63	2.83	72	2.40	61	2.24	57

No.	Part Name	Material	Spec. ASTM
1	Body	Cast Bronze	B584-C84400
2	Stem	Brass	B16-C36000
3	Bonnet	Forged Brass	B124-C37700
4	Packing Nut	Bras	B16-C36000
5	Packing	Teflon	PTFE
6	Hand Wheel	Phenolic Resin	
7	Screw	Brass	B16-C36000
8	Union Nut	Cast Bronze	B584-C84400
9	Tailpiece	Forged Brass	B124-C37700



Warranty and Codes

This PROFLO product carries a 1-year limited warranty. This product meets ANSI: B 1.20.1 and B16.18.