

PF431

Steam Radiator Valve - Angle



Product Features

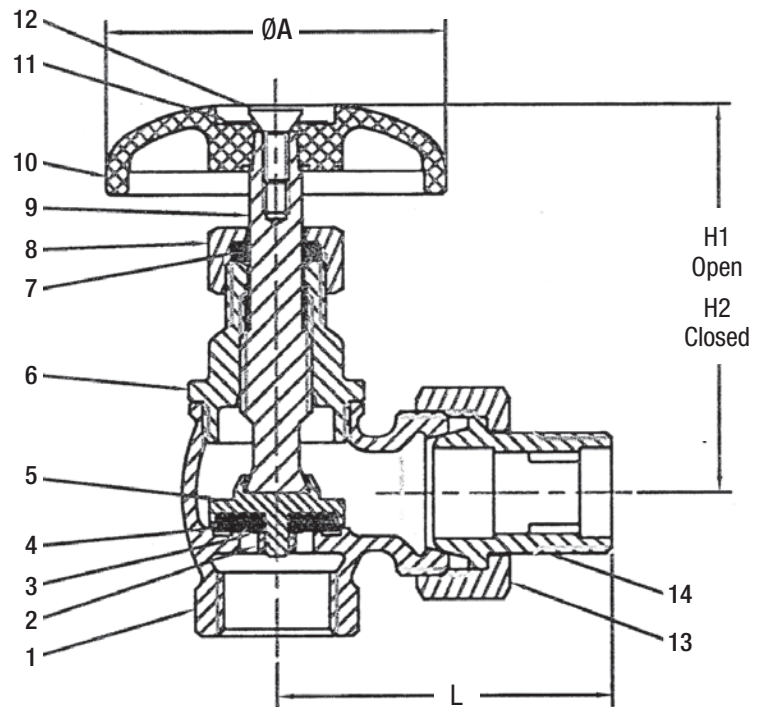
- For use on heating applications
- Working pressure: 15 PSI WSP
- 60 PSI Hotwater, non-shock
- Threads comply with ANSI B1.20.1
- Includes nut and tailpiece
- FIP x MIP connection



PF431D

	Size	L		H1		H2		ØA	
		in	mm	in	mm	in	mm	in	mm
PF431D	1/2"	2.28	58	2.99	76	2.64	67	2.28	58
PF431F	3/4"	2.56	65	3.19	81	2.76	70	2.28	58
PF431G	1"	2.87	73	3.58	91	2.99	76	2.28	58
PF431H	1-1/4"	3.23	82	4.02	102	3.39	86	2.28	58
PF431J	1-1/2"	3.62	92	4.45	113	3.58	91	2.28	58

No.	Part Name	Material	Spec. ASTM
1	Body	Cast Bronze	B584-C84400
2	Nut	Brass	
3	Washer	Brass	
4	Seat Packing	Rubber	EPDM
5	Disc	Forged Brass	B124-C37700
6	Bonnet	Cast Bronze	B584-C84400
7	Packing	Teflon	PTFE
8	Packing Nut	Brass	B16-C36000
9	Stem	Brass	B16-C36000
10	Hand Wheel	Phenolic Resin	
11	Nameplate	Aluminum	Commercial
12	Screw	Brass	
13	Union Nut	Cast Bronze	B584-C84400
14	Tailpiece	1/2" ~ 1-1/4"	Forged Brass B124-C37700
		1-1/2"	Cast Bronze B584-C84400



Warranty and Codes

This PROFLO product carries a 1-year limited warranty. This product meets ANSI: B 1.20.1

Distributed Exclusively by Ferguson and Wolseley Canada