

PF061DC



Angle Oil Tank Valves

Product Features

- For use on heating applications
- Pressure rating: 125 PSI WOG
- Threads conform to ANSI/ASME B1.20.1

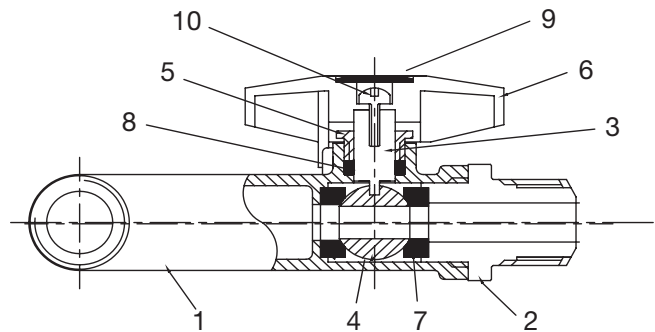
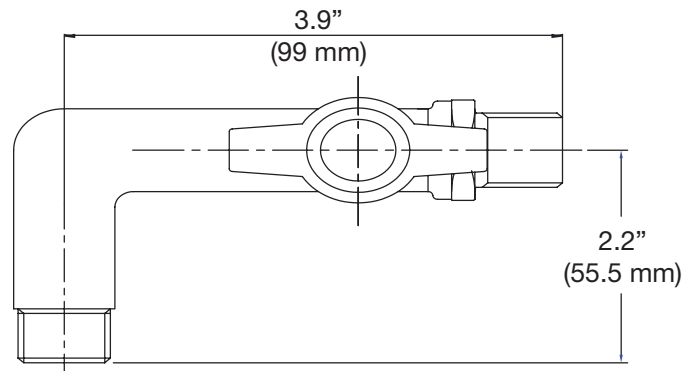
Product Code

PF061DC 1/2" MIP x 3/8" MIP



PF061DC

NO.	PART	MATERIAL	SPEC. ASTM
1	BODY	CAST BRASS	B584-C85700
2	END PLUG	BRASS	B16-C36000
3	STEM	BRASS	B16-C36000
4	BALL DISC	BRASS	B16-C36000
5	STEM GLAND SCREW	BRASS	B16-C36000
6	HANDLE	ZINC ALLOY	
7	BALL DISC PACKING	TEFLON	PTFE
8	STEM PACKING	TEFLON	PTFE
9	NAMEPLATE	ALUMINUM	COMMERCIAL
10	SCREW	BRASS	



Warranty and Codes

The PROFLO product carries a 1-year limited warranty.