



Wall Hung Back Toilet

1.28gpf

Product Features

- Vitreous China
- 1.28gpf Wall-mounted HET Gravity Fed Toilet
- 2" fully glazed trapway
- Elongated Bowl
- Meets ADA requirements
- Standard seat installations (sold separately)
- Siphon Jet Bowl
- Meets ASME A112.19.2, CSA B45



PF1705HEWH/PF1710HEWH

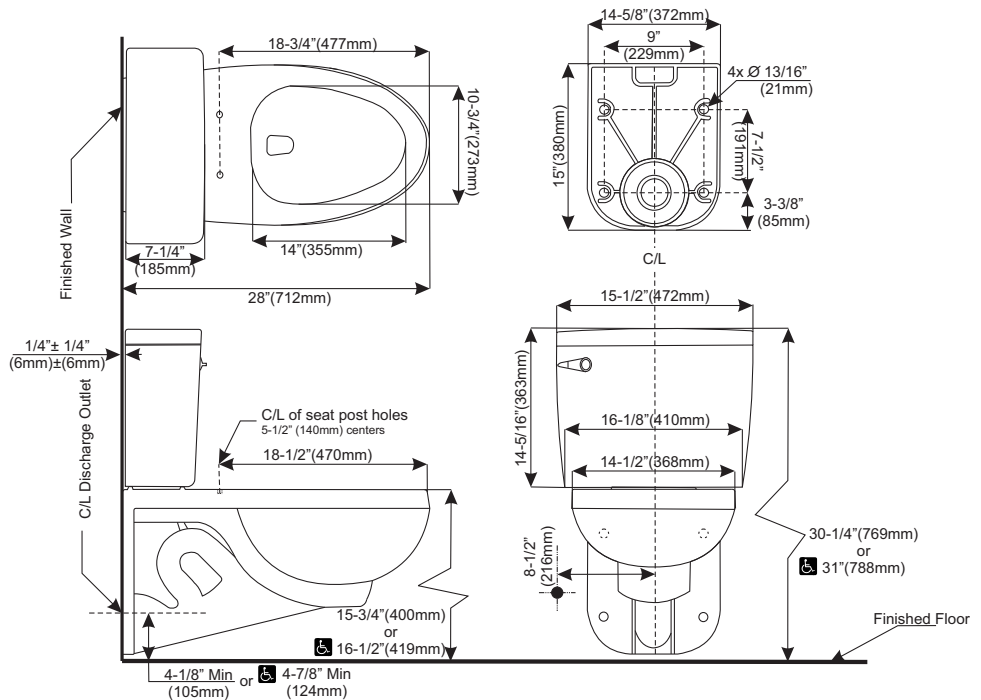
Product Specifications

Model Numbers

PF1705HEWH Wall mount bowl, white
 PF1710HEWH 1.28 gpf tank, white

Certifications

Meets the Americans with Disabilities act guidelines and ANSI A117.1 requirements for accessible and usable building facilities; when installed so top of seat height from finished floor is 17"-19".



Warranty and Codes

All PROFLO fixtures carry a 1-year limited warranty. This product comes complete with installation, operating care and maintenance instructions. This product meets or exceeds ASME/ANSI A112.19.2M. In effort to continually improve our products PROFLO will make design changes from time to time. PROFLO reserves the right to ship newly designed product to fill any orders unless we agree in writing to do otherwise.

