



72 x 36 Whirlpool

Product Features

- Durable easy-care acrylic construction
- Six color matched power jets
- High efficiency 5.6 amp pump motor
- Molded-in armrests
- Adjustable air control for whirlpool action
- Textured slip resistant bottom
- Air activated on/off switch
- Pre-leveled base
- Silent air induction

General Specifications

- 72" length overall
- 36" width overall
- 20" depth overall
- 50 gallon operating capacity
- 60 gallon total capacity to overflow
- Electrical service requirements: Motor 120 V., 10.5 A., 50/60 Hz., Single Phase, Class B Insulation
- Ground fault circuit protection must be provided by installer
- Prewired for simple plug-in installation



PFW7236WH

Shown with optional removable apron

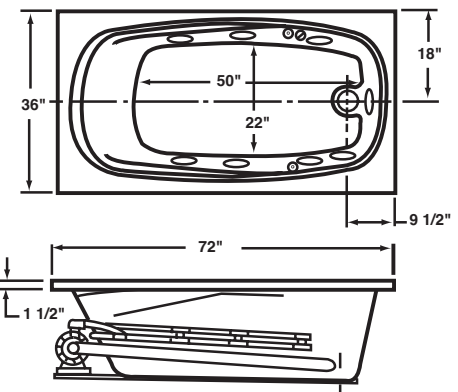
Color Palette

- White - WH

Model Numbers

PFW7236	72" x 36" acrylic whirlpool
PFSK72RP	6' removable panel apron
PFSK72	6' removable apron
PFTLK	Tile flange kit

Product Specifications



Recommended Parts

MB138843	Cable Drain PVC w/trim - CP
MB138842	Cable Drain PVC w/trim - BN
MB138844	Cable Drain PVC w/trim - ORB
MB138853	Cable Drain ABS w/trim - CP
MB138852	Cable Drain ABS w/trim - BN
MB138854	Cable Drain ABS w/trim - ORB

Warranty and Codes

This product features a 5-year limited warranty and meets or exceeds the following standards: Whirlpools - IAPMO PS32-84, UL listing 27E7, ANSI Z124.1-95, ASME A112.19.8M-87R(96) and ASME A112.19.7M-95. Baths - ANSI Z124.1-95. In an effort to continually improve our products, design changes may periodically be made. Ferguson reserves the right to provide newly designed material to fill any order unless otherwise agreed to in writing.

Installation Instructions

Never allow the weight of the tub to be supported by lip on deck or stringers, as this could result in product failure and void the Warranty. If utilities are available, level and fill tub with water and test for proper operation and drainage or possible water leaks due to transit/handling damage.

It is REQUIRED that the tub be supported by the tub bottom and not the tub lip. The lip should only rest on the finished deck surface or support stringers. The tub bottom must be supported by a setting compound such as cement or mortar (fast cure materials are not

recommended due to excessive shrinkage). Failure to use a suitable setting compound will void the warranty. A sheet of plastic film on top of compound, is recommended as a barrier. The tub should be set in place (do not handle whirlpool by piping) while compound is still soft so that the compound will conform to the tub bottom. Tub should be worked down into compound so the lip of the tub just makes contact with finished deck surface or support stringers. It may be necessary to partially fill tub with water to aid in properly setting the tub.

NOTE: All dimensions and specifications are nominal and may vary $\pm \frac{1}{4}$ ". Use actual products for accuracy in critical situations.

