

PF42800 / PF42801

Tile Shower Drain With Stainless Steel Strainer



Product Features

- Designed for use on tile or marble shower bases where a shower pan liner is used
- Machine screws and threaded brass inserts in drain body and top housing
- Weep holes in drain assembly allow drainage from the pan liner
- Beveled flashing body for easy subfloor installation
- 4" stainless steel strainer
- Adjustable strainer height
- IAPMO listed
- Caution: Do not use oil-based putty with plastic drains

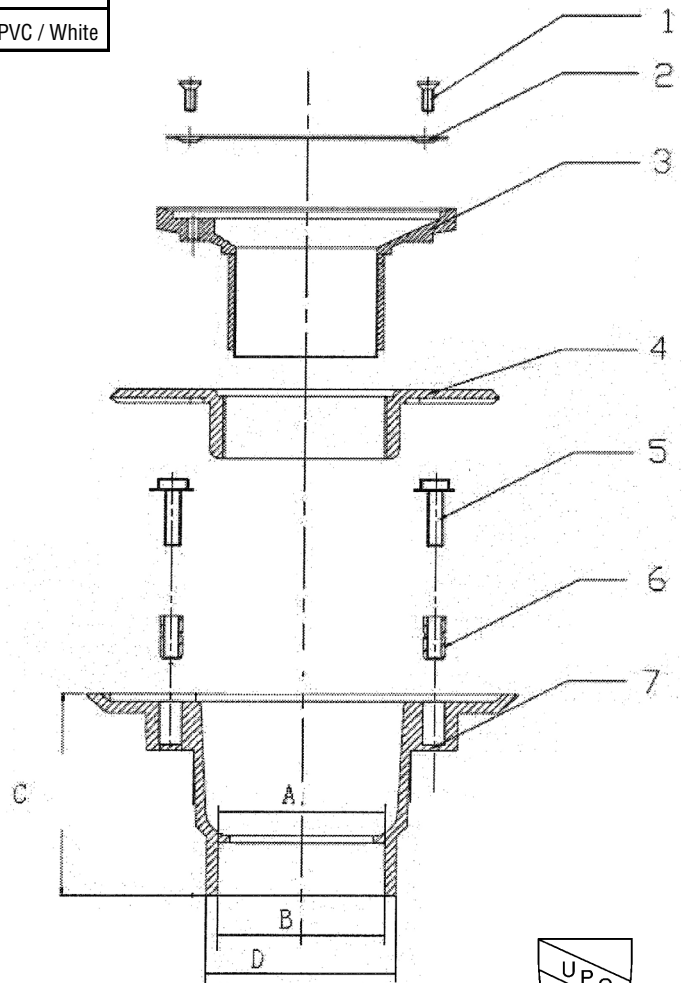


PF42801

✓ For Submittal	Model Number	Description	Material
	PF42800	Tile Shower Drain With Stainless Steel Strainer	ABS / Black
	PF42801	Tile Shower Drain With Stainless Steel Strainer	PVC / White

Parts Breakdown	
1	S/S Screw
2	S/S Grate
3	Adjustable Drain Barrel
4	Reversable Clamping Ring
5	Steel Screw
6	Base Insert
7	Drain Base

Model Number	Size	A	B	C	D
PF42800	2" - 3"	2.37"	2.39"	2.86"	2.74"
PF42801	2" - 3"	2.37"	2.39"	2.86"	2.74"



Warranty and Codes

This PROFLO product carries a 1-year limited warranty.

