

PF1400HE Series



High-Efficiency Toilet

Product Features

- 1.28GPF HET, High Efficiency Toilet
- Gravity fed, jetted box rim
- 2" fully glazed trapway
- 8" x 9" water surface
- Close coupled tank with cover
- Quick connect, 2 bolt tank to bowl installation
- Standard color match trip lever
- Available round front, elongated and ADA
- Seat and supply not included
- Anti-siphon fill valve
- Sanitary Bar on all bowls
- Uses 20% less water than standard low consumption toilets
- EPA WaterSense Certified
- Meets ANSI ASME A112.19.14-2006 and ASME A112.19.2M



PF1403HEWH / PF5112HEWH

Codes and Standards

- ADA (PF1403HE)
- IAPMO/UPC
- ASME A112.19.2
- CSA B45.0
- CSA B45.1

Model Numbers

Model	Description	Color Finishes
PF1400HE	HET Bowl only box rim RF	○ White ○ Biscuit
PF1401HE	HET Bowl only box rim EB	○ White ○ Biscuit
PF1403HE	HET Bowl only box rim ADA	○ White ○ Biscuit
PF5112HE	HET Tank only 12" RI for 1400 series	○ White ○ Biscuit
PF5110HEWH	HET Tank only 10" RI for 1400 series	○ White
PF5114HEWH	HET Tank only 14" RI for 1400 series	○ White
PF5112RHEWH	HET RH Tank only 12" RI for 1400 series	○ White
PF5112UHEWH	HET Lined Tank only 12" RI for 1400 series	○ White

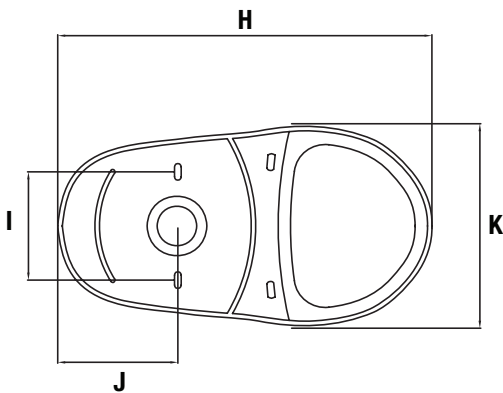




High-Efficiency Toilet

Product Specification

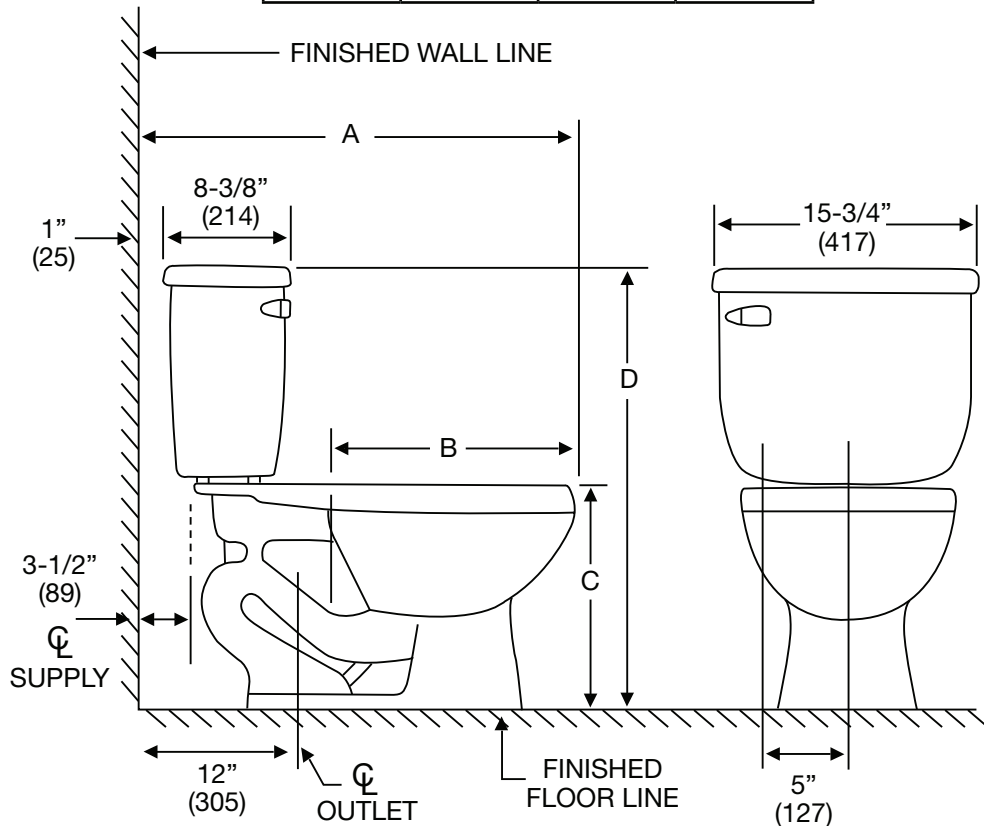
The combination toilet shall be made of vitreous china. Toilet shall be 1.28 gpf (4.8 lpf). Toilet shall have 2" (5.1 cm) fully glazed trapway. Toilet shall include color match trip lever. Toilet shall be less seat and supply. Toilet shall be ADA compliant (PF1403) with 17" high bowl.



	RF	EL	ADA
	PF1400HE	PF1401HE	PF1403HE
A	28-1/4"	30-1/4"	30-1/4"
B	16-1/2"	18-1/2"	18-1/2"
C	14-5/8"	14-5/8"	17"
D	28-7/8"	28-7/8"	31-1/4"

Footprint

	RF	EL	ADA
	PF1400HE	PF1401HE	PF1403HE
H	18-1/2"	18-5/8"	18-11/16"
I	6"	6"	6"
J	6-1/8"	6-7/16"	6-7/16"
K	9-1/8"	9-1/4"	9-1/8"



Warranty and Codes

This product comes complete with installation, operating, care and maintenance instructions. All PROFLO fixtures carry a 1- year limited warranty. This product meets or exceeds ASME/ANSI A12.19.2M. In an effort to continually improve our products, we will make design changes from time to time. We reserve the right to ship newly designed product to fill any order unless we agree in writing to do otherwise.

