

# PFX10015

## Drinking Water Bubbler



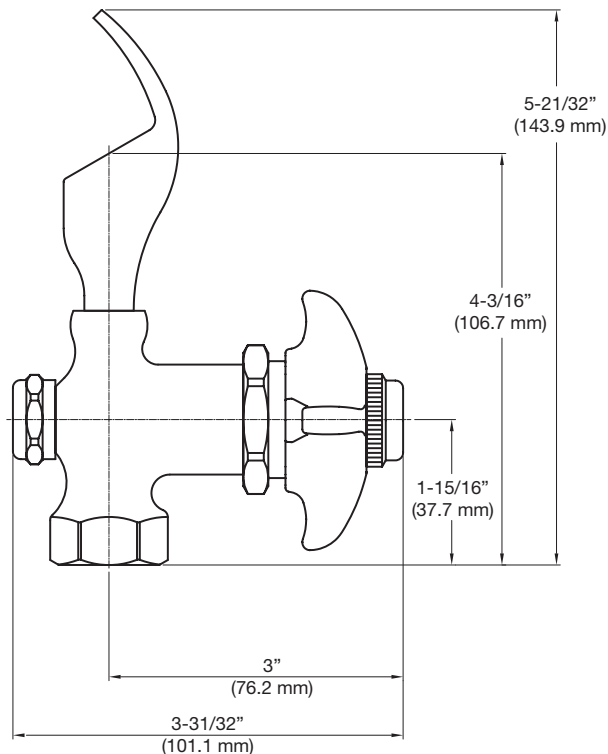
### Product Specifications

- Self-closing
- Solid brass construction
- Chrome Plated Finish
- 1/2" FIP Inlet
- Complies ASME A112.18.1/CSA B125.1
- Complies with NSF61.SEC.9 / NSF 372 standards



PFX10015

### Product Specifications



### Warranty

All PROFLO products carry a limited 1-year warranty.

