

Specifications

PF1092 series

TUB SPOUT



Product Features

- Zinc alloy construction
- Connection size: fits 1/2" female NPT or 3/4" male NPT face bushing
- Meets ASME A112.18.1
- cUPC/IAPMO listed

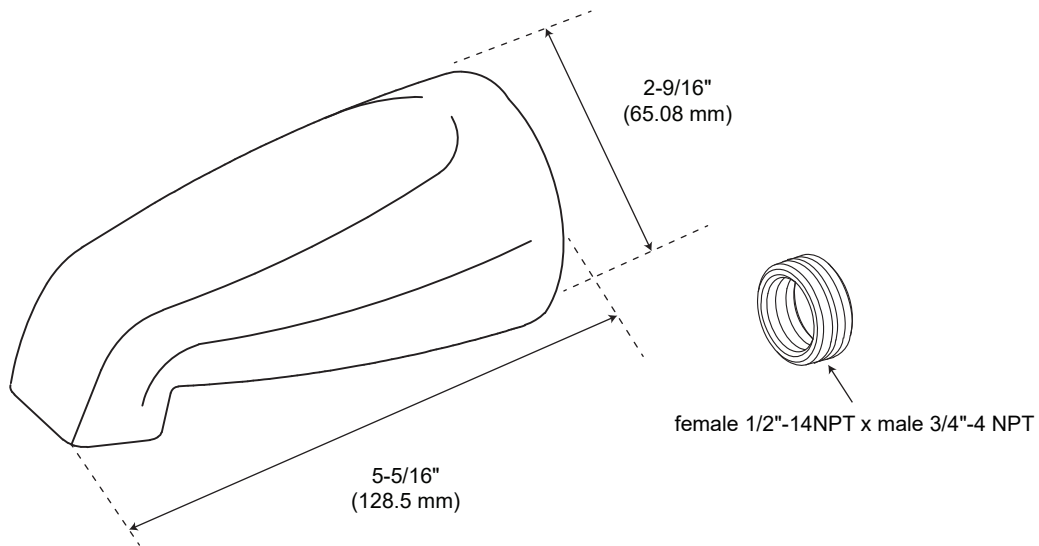


Model Numbers:

PF1092	Chrome
PF1092ZBN	PVD brushed nickel
PF1092ORB	Oil rubbed bronze

PF1092

Product Specifications



* All measurements are nominal. Please verify before actual installation.

Warranty and Codes

This product comes complete with installation, operating, care and maintenance instructions. This PROFLO product carries a 1-year limited warranty. This product meets ASME: A112.18.1.

