

PFAAV160



Air Admittance Valves

Product Features

- Unique technology opens at -0.01 psi and seals at 0 psi and above
- Screening on air inlets to guard the seal
- Protective rubber sleeve provides grip for installation and keeps valve free from debris
- 100% functionally tested at 1/4" H₂O and 30" H₂O ensuring trouble-free performance
- Limited lifetime warranty



Model Numbers

SKU	Description	DFU Rating	Adapter
PFAAV160A	160 BR/72 STK AAV 2-3 ABS ADPT	160 Branch, 72 Stack	2" x 3"
PFAAV160	160 BR/72 STK AAV 2-3 PVC ADPT	160 Branch, 72 Stack	2" x 3"

General Specifications

An air admittance valve shall be acceptable as a vent termination for any individual vent, common vent, circuit vent, loop vent, island fixture vent, vent stack or stack vent to prevent siphonage of a fixture trap.

The purpose of an air admittance valve is to provide a method of allowing air to enter the plumbing drainage system without the use of a vent extended to open air and to prevent sewer gases from escaping into the building. An air admittance valve is a one-way valve designed to allow air to enter the plumbing drainage system when negative pressures develop in the piping system. The device shall close by gravity and seal the vent terminal at zero differential pressure (no flow conditions) and under positive internal pressures.

Product Location Specifications

- Should be located a minimum of 4" above the weir of fixture trap for single fixture and branch venting and 6" above flood level of highest fixture for stack venting
- Each valve should be installed in an accessible location



PFAAV160



Air Admittance Valves

Product Specifications

Part Materials

- A PVC valve with unique seal technology
- B ABS or PVC adapter

Warranty

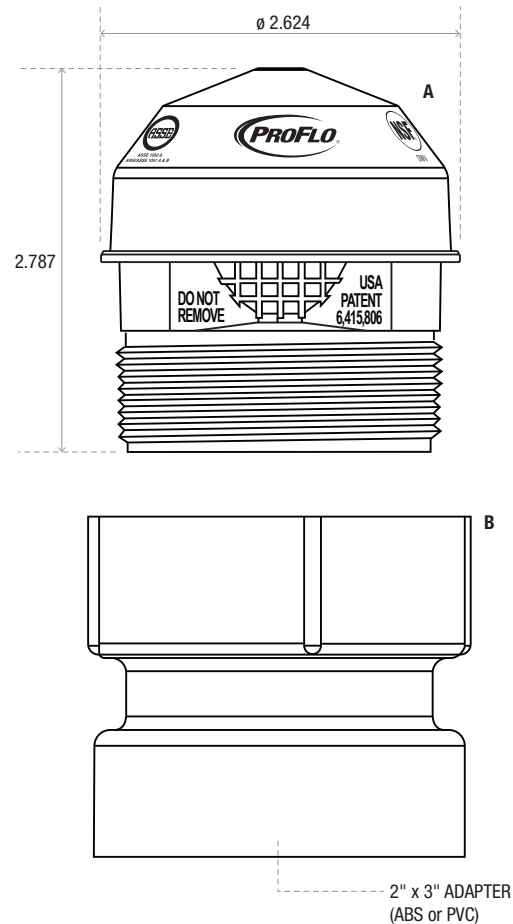
This PROFLO product carries a limited lifetime warranty.

Performance Standards

- ASSE 1050 & 1051
- ICC ESR - 1664
- NSF Standard 14
- IAPMO - classified mark
- ASTM D 2665/D 2661

Code Approvals

- International Plumbing Code (IPC) 2003
- International Residential Code (IRC) 2003



All dimensions in inches.