

PF1400T Series

Low Consumption Two-Piece Toilet Vitreous China



Product Features

- Gravity fed (1.6gpf/6.0Lpf)
- Two piece vitreous china
- 2" fully glazed trapway
- 8" x 9" water surface
- Anti-siphon fill valve
- Box rim
- Close coupled tank with cover
- Quick connect, 2 bolt tank to bowl installation
- 2" Flush valve
- Comes standard with a color matching trip lever
- Sanitary bar on all bowls
- Seat and supply not included
- Available in 10", 12", 14" RI
- Available with RH trip lever
- Available with insulated tank
- Available round front, elongated, and ADA



PF1403TWH/PF5112WHM

Codes and Standards

- ADA PF1403T
- IAPMO/UPC
- ASME A112.19.2
- CSA B45.0
- CSA B45.1

Technical Information

Fixture:	
Configuration	two-piece toilet
Consumption	1.6 gpf/6.0 lpf
Passageway	2" glazed
Water area	8" X 9"
Water depth from rim	6 1/2"
Seat post hole centers	5 1/2"

Model	Model Description	Color Finishes
PF1400T	1.1-1.6 12 RI RF UNIV BOWL	<input type="radio"/> White <input type="radio"/> Biscuit
PF1401T	1.1-1.6 12 RI EL UNIV BOWL	<input type="radio"/> White <input type="radio"/> Biscuit
PF1403T	1.1-1.6 12 RI ADA UNIV BOWL	<input type="radio"/> White <input type="radio"/> Biscuit
PF5112(WH or BS)M	Tank only 12" RI for 1400 series	<input type="radio"/> White <input type="radio"/> Biscuit
PF5110(WH or BS)M	Tank only 10" RI for 1400 series	<input type="radio"/> White <input type="radio"/> Biscuit
PF5114WHM	Tank only 14" RI for 1400 series	<input type="radio"/> White
PF5112RWHM	RH Tank	<input type="radio"/> White
PF5112UWHM	Insulated Tank	<input type="radio"/> White
PF5112LWHM	Tank with locking lid	<input type="radio"/> White



Low Consumption Two-Piece Toilet Vitreous China



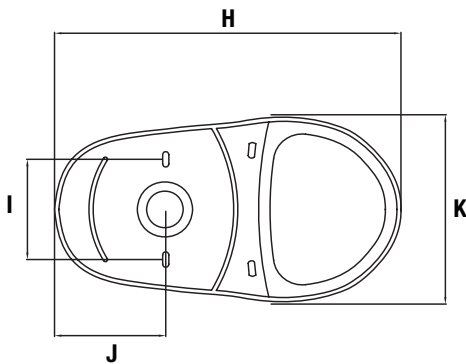
Product Features

The combination toilet shall be made of vitreous china. Toilet shall be 1.6 gpf (6.0 lpf). Toilet shall have 2" (5.1cm) fully glazed trapway. Toilet shall include chrome trip lever. Toilet shall be less seat and supply. Toilet shall be ADA compliant (PF1403T) with 17" high bowl.

	PF5114 /1400T	PF5114 /1401T	PF5114 /1403T
A	30-1/2"	32-1/8"	32-1/8"
E	9-3/4"	9-3/4"	9-3/4"
F	14"	14"	14"
G	15-3/4"	15-3/4"	15-3/4"

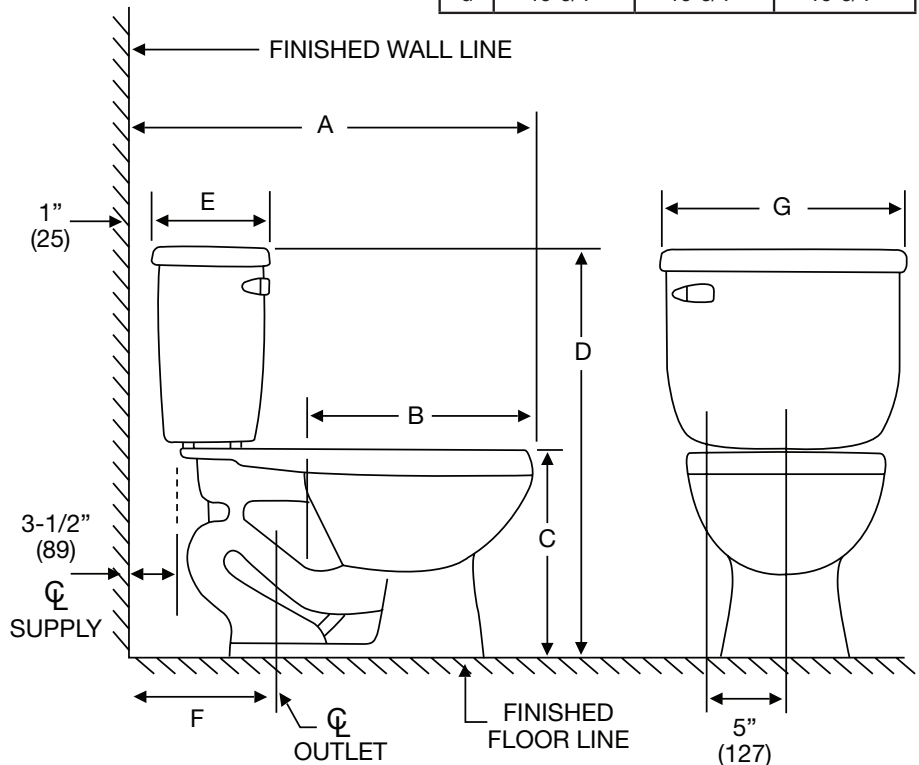
	PF5110 /1400T	PF5110 /1401T	PF5110 /1403T
A	26-1/2"	28-1/8"	28-1/8"
E	6-1/4"	6-1/4"	6-1/4"
F	10"	10"	10"
G	17-1/2"	17-1/2"	17-1/2"

	PF5112 /1400T	PF5112 /1401T	PF5112 /1403T
A	28-1/2"	30-1/8"	31-1/8"
B	16-1/2"	18-1/2"	18-1/2"
C	15"	15"	17"
D	29-3/4"	29-3/4"	31-3/4"
E	8-1/2"	8-1/2"	8-1/2"
F	12"	12"	12"
G	15-3/4"	15-3/4"	15-3/4"



Footprint

	RF	EL	ADA
	PF1400T	PF1401T	PF1403T
H	18-1/2"	18-1/2"	18-1/2"
I	6"	6"	6"
J	6-1/8"	6-1/2"	6-1/2"
K	9"	9"	9"



Warranty and Codes:

This product comes complete with installation, operating, care and maintenance instructions. All PROFLO fixtures carry a 1- year limited warranty. This product meets or exceeds ASME/ANSI A112.19.2M. In an effort to continually improve our products, we will make design changes from time to time. We reserve the right to ship newly designed product to fill any order unless we agree in writing to do otherwise.



PF1400T Series

High-Efficiency Two Piece Toilet



Product Features

- Gravity fed 1.28gpf HET, High Efficiency Toilet
- Two piece vitreous china
- 2" fully glazed trapway
- 8" x 9" water surface
- Anti-siphon fill valve
- Jetted box rim
- Close coupled tank with cover
- Quick connect, 2 bolt tank to bowl installation
- Comes standard with a color matching trip lever
- 2" Flush valve
- Sanitary bar on all bowls
- Seat and supply not included
- Available in 10", 12", 14" RI
- Available with RH trip level
- Available with insulated tank
- Available round front, elongated, and ADA
- Uses 20% less water than standard low consumption toilets
- EPA WaterSense Certified

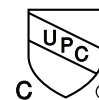


PF1403TWH/PF5112HEWH

Codes and Standards

- ADA PF1403T
- IAPMO/UPC
- ASME A112.19.2
- CSA B45.0
- CSA B45.1

Model	Description	Color Finishes	
PF1400T	1.1-1.6 12 RI RF UNIV BOWL	○ White	○ Biscuit
PF1401T	1.1-1.6 12 RI EL UNIV BOWL	○ White	○ Biscuit
PF1403T	1.1-1.6 12 RI ADA UNIV BOWL	○ White	○ Biscuit
PF5112HE	HET Tank only 12" RI for 1400 series	○ White	○ Biscuit
PF5110HE	HET Tank only 10" RI for 1400 series	○ White	○ Biscuit
PF5114HEWH	HET Tank only 14" RI for 1400 series	○ White	
PF5112RHEWH	HET RH Tank only 12" RI for 1400 series	○ White	
PF5112UHEWH	HET Lined Tank only 12" RI for 1400 series	○ White	



PF1400T Series

High-Efficiency Two Piece Toilet



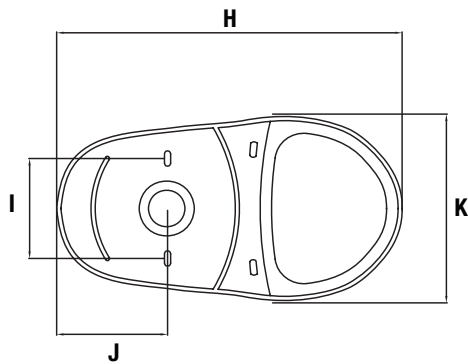
Product Features

The combination toilet shall be made of vitreous china. Toilet shall be 1.28 gpf (4.8 lpf). Toilet shall have 2" (5.1cm) fully glazed trapway. Toilet shall include color match trip lever. Toilet shall be less seat and supply. Toilet shall be ADA compliant (PF1403T) with 17" high bowl.

	PF5114HE /1400T	PF5114HE /1401T	PF5114HE /1403T
A	30-1/2"	32-1/8"	32-1/8"
E	9-3/4"	9-3/4"	9-3/4"
F	14"	14"	14"
G	15-3/4"	15-3/4"	15-3/4"

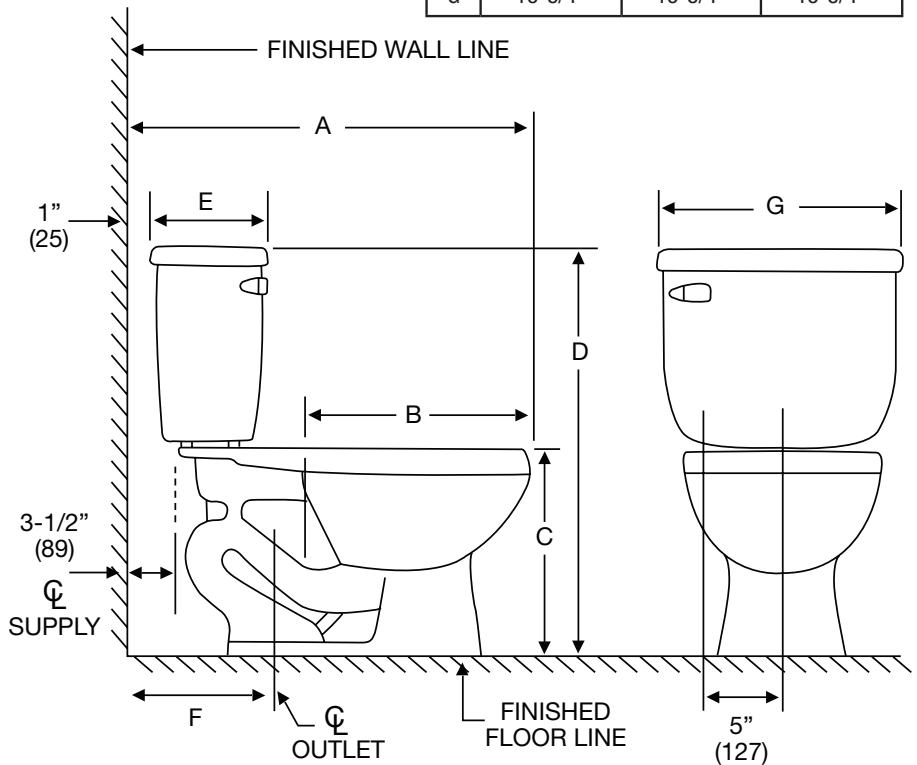
	PF5110HE /1400T	PF5110HE /1401T	PF5110HE /1403T
A	26-1/2"	28-1/8"	28-1/8"
E	6-1/4"	6-1/4"	6-1/4"
F	10"	10"	10"
G	17-1/2"	17-1/2"	17-1/2"

	PF5112HE /1400T	PF5112HE /1401T	PF5112HE /1403T
A	28-1/2"	30-1/8"	31-1/8"
B	16-1/2"	18-1/2"	18-1/2"
C	15"	15"	17"
D	29-3/4"	29-3/4"	31-3/4"
E	8-1/2"	8-1/2"	8-1/2"
F	12"	12"	12"
G	15-3/4"	15-3/4"	15-3/4"



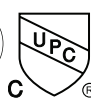
Footprint

	RF	EL	ADA
	PF1400T	PF1401T	PF1403T
H	18-1/2"	18-1/2"	18-1/2"
I	6"	6"	6"
J	6-1/8"	6-1/2"	6-1/2"
K	9"	9"	9"



Warranty and Codes:

This product comes complete with installation, operating, care and maintenance instructions. All PROFLO fixtures carry a 1- year limited warranty. This product meets or exceeds ASME/ANSI A112.19.2M. In an effort to continually improve our products, we will make design changes from time to time. We reserve the right to ship newly designed product to fill any order unless we agree in writing to do otherwise.



PF1400T Series

Dual Flush Two Piece Toilet



Product Features

- Choose either 1.6 or 1.1 gallons per flush
- HET, High Efficiency Toilet
- Two piece vitreous china
- 2" fully glazed trapway
- 8" x 9" water surface
- Anti-siphon fill valve
- Gravity fed, Box rim
- Close coupled tank with cover
- Quick connect, 2 bolt tank to bowl installation
- 2" Flush valve
- Comes standard with a color matching trip lever
- Sanitary bar on all bowls
- Seat and supply not included
- Available in 10" or 12" RI
- Available with RH trip lever
- Available with insulated tank
- Available round front, elongated, and ADA
- EPA WaterSense Certified
- Meets ANSI SME A112.19.14-2006 and ASME A112.19.2M



PF1401T/PF9312

Model Numbers

PF1400TWH	1.1-1.6 12 RI RF UNIV BOWL WHIT
PF1401TWH	1.1-1.6 12 RI EL UNIV BOWL WHIT
PF1403TWH	1.1-1.6 12 RI ADA UNIV BOWL WHIT
PF9312WH	Tank HET Dual Flush 1.1/1.6 gpf, 12" Rough-in, White
PF9310WH	Tank HET Dual Flush 1.1/1.6 gpf, 10" Rough-in, White
PF9312RWH	Tank HET Dual Flush 1.1/1.6 gpf, Right Hand, White
PF9312UWH	Tank HET Dual Flush 1.1/1.6 gpf, Insulated Tank, White

Parts Available

PF9312FLPK	Fill valve assembly
PF9312FVPK	Dual flush tower assembly (includes white trip lever)
PFTGPK	Tank gasket w/bolts
PF5112LIDWH	Tank lid white

Detailed Use Instructions

The Dual Flush enables a 1.1 gallon flush by pushing the flush lever back for liquid or light waste.

The 1.6 gallon flush can be utilized by pulling forward on the trip lever providing a strong flushing action for bulk or solid waste.

Warranty and Codes

This product comes complete with installation, operating, care and maintenance instructions. All PROFLO fixtures carry a 1- year limited warranty. In an effort to continually improve our products, we will make design changes form time to time. We reserve the right to ship newly designed product to fil any order unless we agree in writing to do otherwise.



**Dual Flush
Two Piece Toilet**

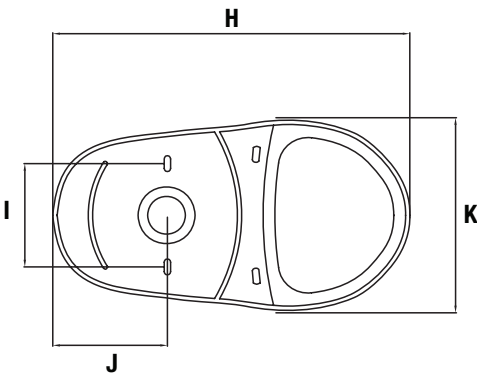


Certifications

Meets strict flushing performance guidelines established by the EPA (Environmental Protection Agency) WaterSense program. Leadership in Energy and Environmental Design (LEED) Compliant. Los Angeles Department of Water and Power (LADWP) Compliant.

	PF5110 /1400T	PF5110 /1401T	PF5110 /1403T
A	26-1/2"	28-1/8"	28-1/8"
E	6-1/4"	6-1/4"	6-1/4"
F	10"	10"	10"
G	17-1/2"	17-1/2"	17-1/2"

	PF5112 /1400T	PF5112 /1401T	PF5112 /1403T
A	28-1/2"	30-1/8"	31-1/8"
B	16-1/2"	18-1/2"	18-1/2"
C	15"	15"	17"
D	29-3/4"	29-3/4"	31-3/4"
E	8-1/2"	8-1/2"	8-1/2"
F	12"	12"	12"
G	15-3/4"	15-3/4"	15-3/4"



Footprint

	RF	EL	ADA
	PF1400T	PF1401T	PF1403T
H	18-1/2"	18-1/2"	18-1/2"
I	6"	6"	6"
J	6-1/8"	6-1/2"	6-1/2"
K	9"	9"	9"

