

PF1400J Series

Two-Piece Toilet Vitreous China



Product Features

- Two-piece vitreous china
- Available 10", 12", 14" RI
- Gravity fed (1.6gpf/6.0Lpf)
- Box rim
- 2" fully glazed trapway
- 8" x 9" water surface
- Close coupled tank with cover
- Quick connect, 2 bolt tank to bowl installation
- Comes standard with a color matching trip lever
- Available with RH trip lever
- Available with insulated tank
- Available round front, elongated and ADA
- Seat and supply not included
- Anti-siphon fill valve
- Sanitary bar on all bowls



PF1403JWH / PF5112WHM

Codes and Standards

- ADA (PF1403J)
- IAPMO/UPC
- ASME A112.19.2
- CSA B45.0
- CSA B45.1

Technical Information

Fixture:	
Configuration	two-piece toilet
Consumption	1.6 gpf/6.0 lpf
Passageway	2" glazed
Water area	8" X 9"
Water depth from rim	6 1/2"
Seat post hole centers	5 1/2"

Specified Model

Model	Model Description	Color Finishes
PF1400J	Bowl only box rim RF	○ White ○ Biscuit
PF1401J	Bowl only box rim EB	○ White ○ Biscuit
PF1403J	Bowl only box rim ADA	○ White ○ Biscuit
PF5112(WH or BS)M	Tank only 12" RI for 1400 series	○ White ○ Biscuit
PF5110(WH or BS)M	Tank only 10" RI for 1400 series	○ White ○ Biscuit
PF5114WHM	Tank only 14" RI for 1400 series	○ White
PF5112RWHM	RH Tank	○ White
PF5112UWHM	Insulated Tank	○ White
PF5112LWHM	Tank with locking lid	○ White



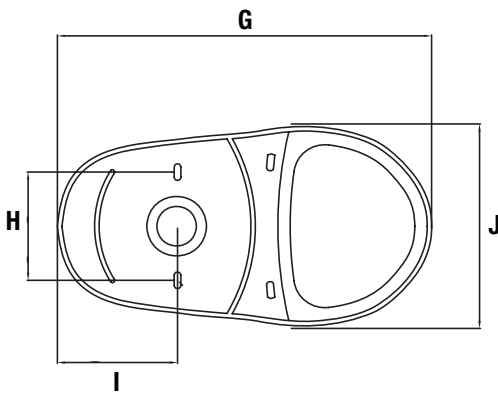
PF1400J Series

Two-Piece Toilet Vitreous China



Product Specification:

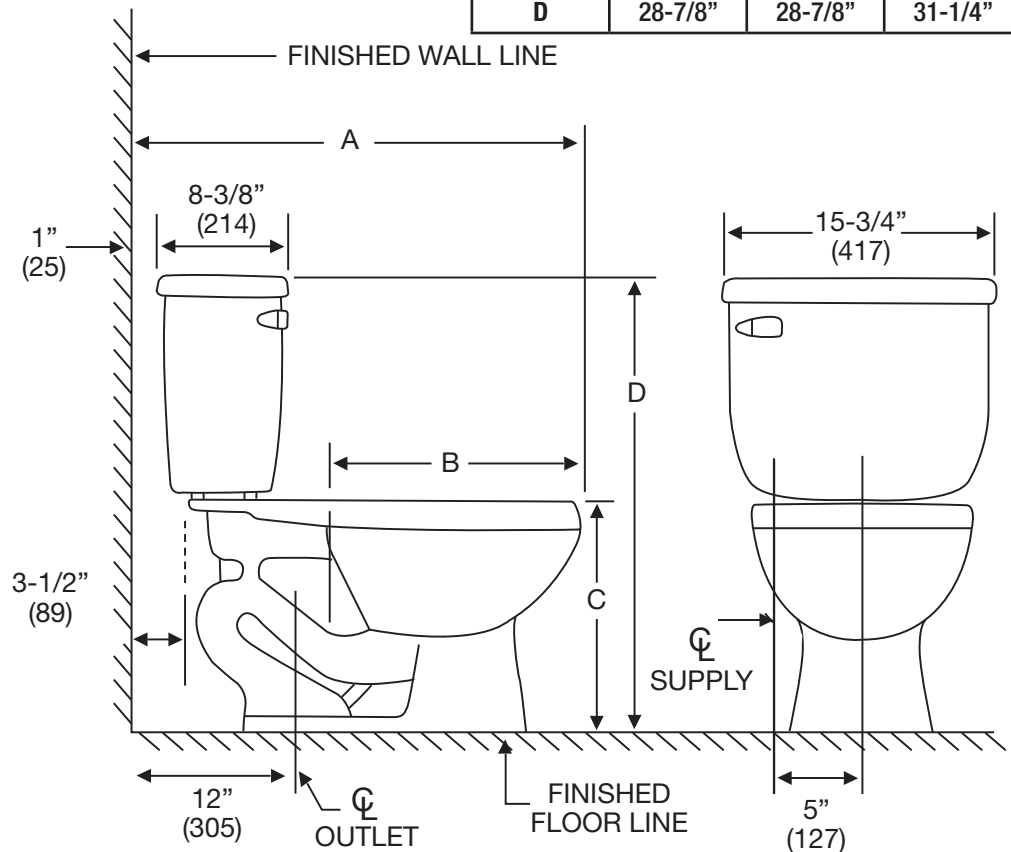
The combination toilet shall be made of vitreous china. Toilet shall be 1.6 gpf (6.0 lpf). Toilet shall have 2" (5.1cm) fully glazed trapway. Toilet shall include chrome trip lever. Toilet shall be less seat and supply. Toilet shall be ADA compliant (PF1403J) with 17" high bowl.



Footprint

	RF	EL	ADA
	PF1400J	PF1401JE	PF1403JE
G	18-1/2"	18-5/8"	18-11/16"
H	6"	6"	6"
I	6-1/8"	6-7/16"	6-7/16"
J	9-1/8"	9-1/4"	9-1/8"

	RF	EL	ADA
	PF1400J	PF1401J	PF1403J
A	28-1/4"	30-1/4"	30-1/4"
B	16-1/2"	18-1/2"	18-1/2"
C	14-5/8"	14-5/8"	17"
D	28-7/8"	28-7/8"	31-1/4"



Warranty and Codes:

This product comes complete with installation, operating, care and maintenance instructions. All PROFLO fixtures carry a 1-year limited warranty. This product meets or exceeds ASME/ANSI A112.19.2M. In an effort to continually improve our products, we will make design changes from time to time. We reserve the right to ship newly designed product to fill any order unless we agree in writing to do otherwise.

