

60 x 30 Soaking Baths



Product Features

- Durable easy-care acrylic construction
- Textured slip-resistant bottom
- Integral tile flange

General Specifications

- 59-3/4" length overall
- 30-1/4" width overall
- 15-1/2" height overall
- 33 gallon operating capacity
- 35 gallon total capacity to overflow



With Integral Skirt

PFS6030RSKWH

Model Numbers

- PFS6030LSK** 60" x 30" soaking bath with integral skirt - left hand drain
- PFS6030RSK** 60" x 30" soaking bath with integral skirt - right hand drain

Recommended Parts

- MB138882 17-22 PVC Cable drain w/ trim - BN
 MB138883 17-22 PVC Cable drain w/ trim - CP
 MB138884 17-22 PVC Cable drain w/ trim - ORB
 MB138885 17-22 ABS Cable drain w/ trim - BN
 MB138886 17-22 ABS Cable drain w/ trim - CP
 MB138887 17-22 ABS Cable drain w/ trim - ORB

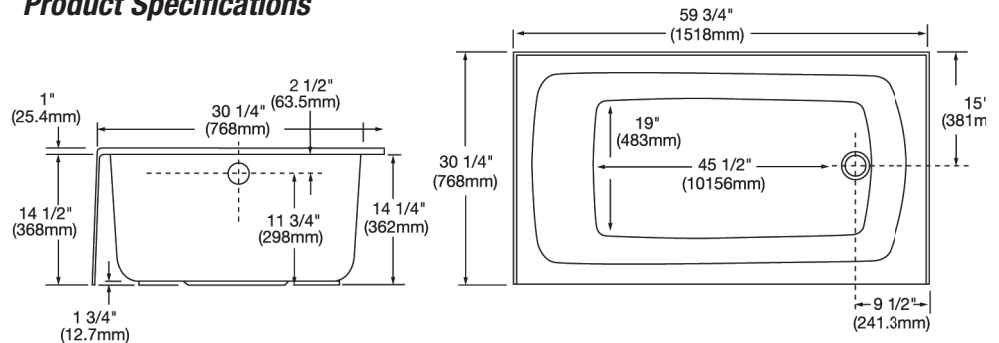
Color Palette

- White - WH

Warranty and Codes

This product features a 5-year limited warranty and meets or exceeds the following standards: Baths - ANSI Z124.1-95. In an effort to continually improve our products, design changes may periodically be made. Ferguson reserves the right to provide newly designed material to fill any order unless otherwise agreed to in writing.

Product Specifications



Installation Instructions

Never allow the weight of the tub to be supported by lip on deck or stringers, as this could result in product failure and void the Warranty. If utilities are available, level and fill tub with water and test for proper operation and drainage or possible water leaks due to transit/handling damage. It is **REQUIRED** that the tub be supported by the tub bottom and not the tub lip. The lip should only rest on the finished deck surface or support stringers. The tub bottom must be supported by a setting compound such as cement or mortar (fast cure materials are not recommended due to excessive shrinkage). Failure to use a suitable setting compound will void the warranty. A sheet of plastic film on top of compound, is recommended as a barrier. The tub should be set in place while compound is still soft so that the compound will conform to the tub bottom. Tub should be worked down into compound so the lip of the tub just makes contact with finished deck surface or support stringers. It may be necessary to partially fill tub with water to aid in properly setting the tub.

NOTE: All dimensions and specifications are nominal and may vary $\pm \frac{1}{4}$ ".
 Use actual products for accuracy in critical situations.



Distributed Exclusively by Ferguson and Wolseley Canada