

PFWS5210



# Two Handle Lavatory Faucet

## Product Features

- 4" centerset installation
- Flow rate: 1.5 GPM
- Metal lever handle
- Ceramic disc cartridge
- Copper waterways
- With brass pop-up
- Max deck thickness: 1-1/32"
- 1/2" IPS connections
- Metal construction
- Meets ANSI:A112.18.1M
- NSF 61 compliant
- cUPC/IAPMO Listed
- WaterSense rated



PFWS5210CP

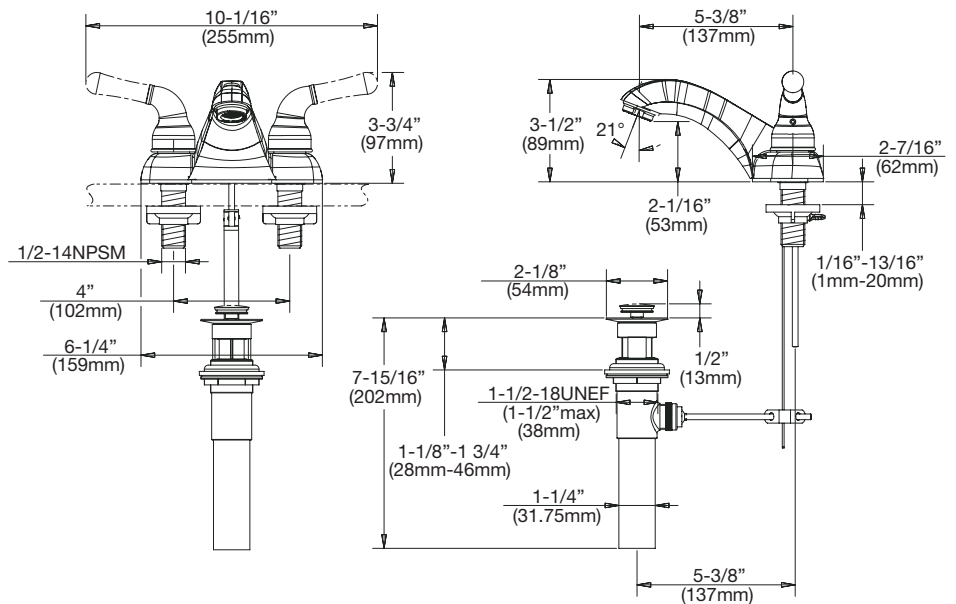
## Product Specifications

### Model Numbers

- PFWS5210CP polished chrome finish
- PFWS5210BN brushed nickel finish
- PFWS5210RB oil rubbed bronze finish

### Parts Available

- PFX4LAVEXT 4" centerset faucet thick deck mounting kit
- PFA66D091N Ceramic Cartridge (Hot & Cold)



## Warranty and Codes

This product comes complete with installation, operating, care and maintenance instructions. This PROFLO faucet carries a limited lifetime warranty when installed in residential applications. The warranty is five years in commercial applications. This product meets ANSI: A112.18.1M. \*Compliant with lead content requirements of US Senate Bill S.3874

