



70 x 40 Plus Series Whirlpool & Soaking Baths

Product Features

- Durable easy-care acrylic construction
- Six fully adjustable color matched hydro jets including lumbar jets
- Powerful 7.8 amp pump/motor
- Pre-leveled base for easy installation
- Factory preset air controls for whirlpool action
- Textured slip resistant bottom
- Electronic on/off switch
- Heater blank, safety suction and silent air induction
- Available as an invigorating whirlpool and an unjetted soaking bath

Color Palette

- White - WH
- Biscuit - BS

Model Numbers

PFW7040PLUS	70" x 40" acrylic oval whirlpool
PFS7040	70" X 40" acrylic oval soaking bath
MIRPRESSHTR	Whirlpool heater

Warranty and Codes

This product features a 5-year limited warranty and meets or exceeds the following standards: Whirlpools - IAPMO PS32-84, UL listing 27E7, ANSI Z124.1-95, ASME A112.19.8M-87R(96) and ASME A112.19.7M-95. Baths - ANSI Z124.1-95. In an effort to continually improve our products, design changes may periodically be made. Ferguson reserves the right to provide newly designed material to fill any order unless otherwise agreed to in writing.

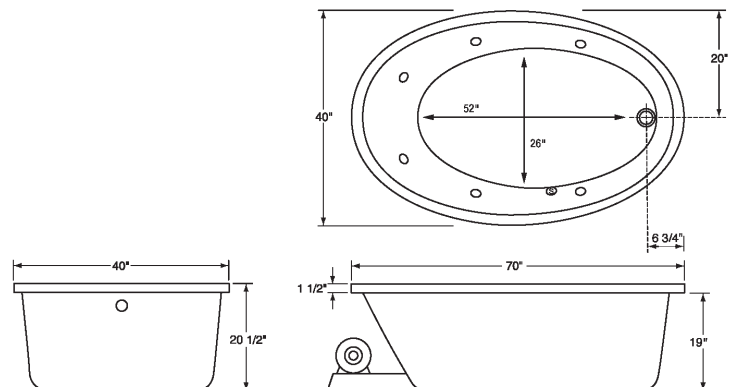
General Specifications

- 70" length overall
- 40" width overall
- 20 1/2" depth overall
- 50 gallon operating capacity
- 75 gallon total capacity to overflow
- Electrical service requirements: Motor 120 V., 20 A., 50/60 Hz., Single Phase, Class B Insulation
- Ground fault circuit protection must be provided by installer
- Prewired for simple plug-in installation



PFW7040PLUSWH

Product Specifications



Construction

This PROFLO Whirlpool is constructed of the highest-grade acrylic and reinforcement composites available. The plumbing system utilizes high-pressure air and waterway tubing and each joint is solvent welded and pressure tested. Each unit is leveled and performance tested before leaving the factory.

NOTE: All dimensions and specifications are nominal and may vary $\pm 1/4$ ". Use actual products for accuracy in critical situations.

