

PF9412FLPK



Fill Valve Assembly

Product Features

- Pressure resistant quiet filling
- Anti-syphon system
- Minor and Major water level adjustment
- Long lasting durability
- Corrosion resistant
- Used for PROFLO and Mirabelle high-efficiency toilets
- Compatible with other high-efficiency toilets

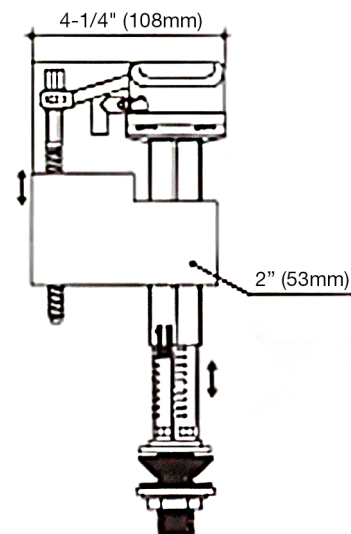


PF9412FLPK

Codes and Certifications

- Uniform Plumbing Code (UPC®)
- National Plumbing Code of Canada
- International Plumbing Code (IPC®)
- ASSE 1002-2008

Product Specifications



Model Numbers

PF9412FLPK Fill valve assembly for PF9400 series tanks

Warranty and Codes

PROFLO fill valves undermount carry a 5-year limited warranty. In an effort to continually improve our products, FEI will make design changes from time to time. We reserve the right to ship newly designed product to fill any order unless we agree in writing to do otherwise. Conforms to ASSE 1002-2008 and CSA B125.3-2012

