

PF1825

High Efficiency Urinal Wash-out, Rear Outlet



Product Features

- Vitreous china
- High efficiency urinal (HEU)
- Wash-out flushing
(0.5 gpf - 1.0 gpf / 1.9 lpf - 3.8 lpf)
- 3/4" top inlet spud
- 2" NPT inside thread outlet
- Elongated 14" rim
- Wall hang design
- Hanging bracket included
- Flush valve not included

Codes and Standards

- ADA
- IAPMO/UPC
- ASME A112.19.2
- CSA



PF1825WH

Technical Information

Fixture:	
Configuration	wash-out urinal, bottom outlet
Water per flush	0.5gpf-1.0gpf/1.9lpf-3.8lpf
Spud size	3/4" top
Passageway	2" outlet

Included Components

- Mounting brackets

Specified Model

Model	Model Description	Color Finishes
PF1825WH	Washout, 3/4" T/S Rear Outlet	○ White



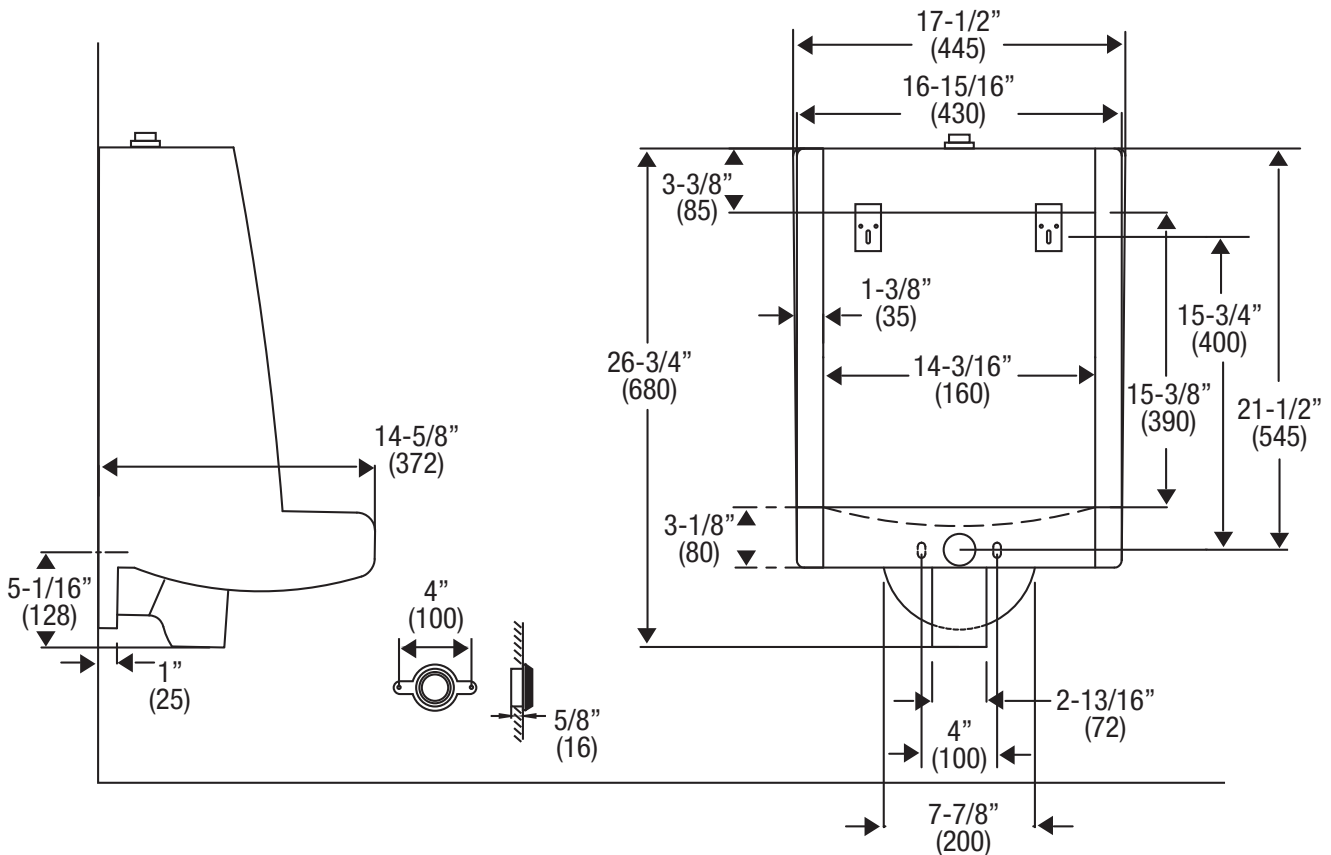
PF1825

High Efficiency Urinal Wash-out, Rear Outlet



Product Specification:

Wash-out urinal shall be made of vitreous china with a 3/4" top spud. Urinal shall include inlet and spuds and brackets. Urinal shall use 0.5 gpf - 1.0 gpf (1.9 lpf - 3.8 lpf). Urinal shall be PROFLO model PF1825. Recommended working pressure between 25 and 80 psi. Provide suitable reinforcement for wall support.



Warranty and Codes:

This product comes complete with installation, operating, care and maintenance instructions. All PROFLO fixtures carry a 1-year limited warranty. This product meets or exceeds ASME/ANSI A112.19.2M. In an effort to continually improve our products, we will make design changes from time to time. We reserve the right to ship newly designed product to fill any order unless we agree in writing to do otherwise. Meets the Americans Disabilities Act guidelines and ANSI A11.17.1 when installed to 17" height from finished floor.

