

PF1433

Stainless Steel Basket Strainers



Product Features

- 3-1/2 Standard grade
- Stainless steel body and basket
- Fixed post basket

Model Numbers

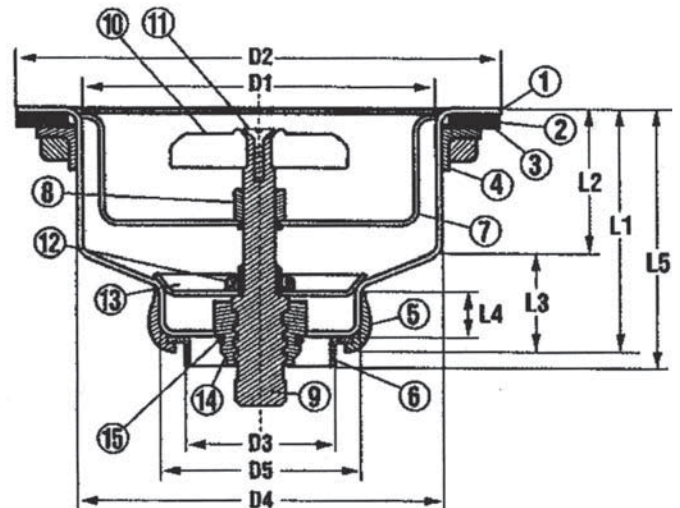
- PF1433SS** Twist and lock with positive seal
PF1433BRSS Twist and lock with positive seal with brass slip nut and lock nut



PF1433SS

NO.	Part	PF1433SS	PF1433BRSS
1	Body	SS 430	SS 430
2	Washer	Rubber	Rubber
3	Washer	Paper	Paper
4	Lock nut	Zinc	Brass
5	Tailpiece nut	Zinc	Brass
6	Tailpiece washer	PE	PE
7	Basket	SS 430	SS 430
8	Basket bushing	CP brass	CP Brass
9	Post	CP brass	CP Brass
10	Handle	CP brass	CP Brass
11	Screw	SS	SS
12	Hex nut	CP brass	CP Brass
13	Stopper	SS	SS
14	Body bushing	CP brass	CP Brass
15	C ring	SS	SS

Product Specifications



	D1	D2	D3	D4	D5	L1	L2	L3	L4	L5
Dimension	3.35"	4.40"	1.33"	3.32"	1.82"	2.56"	1.45"	1.11"	0.5"	2.6"

Warranty and Codes

This PROFLO product carries a 1-year limited warranty.



Distributed Exclusively by Ferguson and Wolseley Canada