

Jerritt – PROPFJRC312IMWH

## Two-Piece Elongated Bowl Toilet



### Product Features

- PROPFJRC312IMWH consists of PF1402TWH (bowl) and PF5112UWHM (tank)
- 1.6 GPF
- Gravity-fed siphon jet flush
- Vitreous china
- 16-1/4" elongated bowl
- Rough-in: 12"
- Flush valve: 2"
- Trapway: 2" fully glazed
- Water spot: 7" x 6"
- Front-mounted color match trip lever
- Sanitary bar on bowl for easy cleaning
- Quick connect, two-bolt tank-to-bowl installation



### Optional Accessories/Available Parts

- PF5112FLPK Fill Valve Assembly
- PF5112FVPK Flush Valve Assembly
- PF5112TLCPPK Chrome Flush Lever

### Codes and Certifications



- IAPMO/cUPC
- ASME A112.19.2 / CSA B45.1
- MaP Rated 1000g
- Meets ADA requirements when installed according to ADA guidelines

Available Colors: White (WH)

#### Tank

PF5112UWHM 12" Rough-in Insulated Tank

#### Bowl

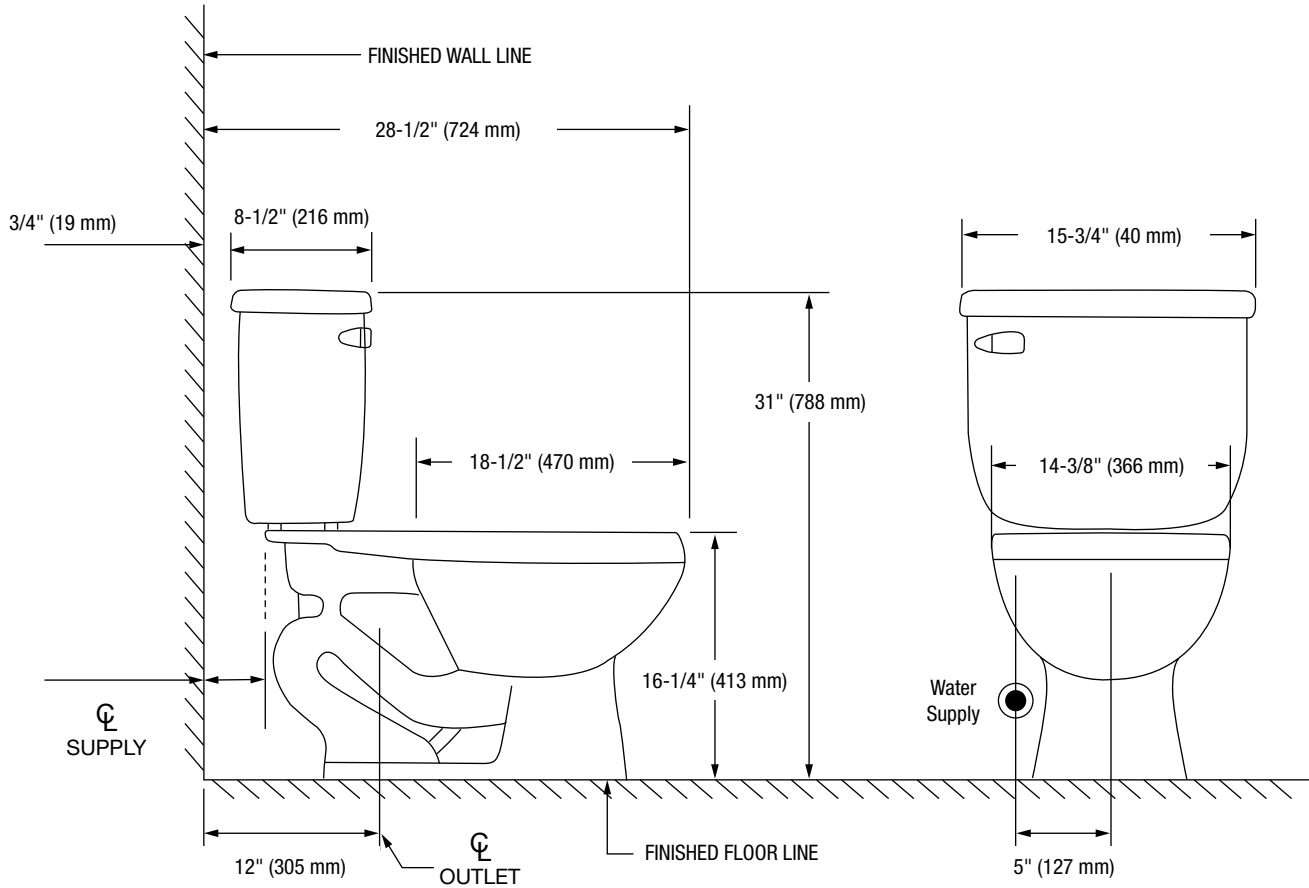
PF1402TWH Elongated, Comfort Height Bowl - 16-1/4"

Visit [ferguson.com/PROFLO-vitreous-china-warranty](http://ferguson.com/PROFLO-vitreous-china-warranty) for detailed warranty information.

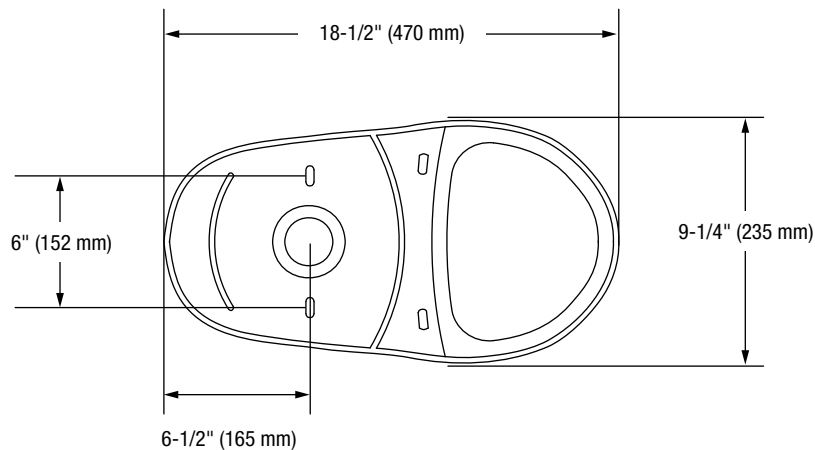
**FERGUSON.COM/PROFLO**

Jerritt – PROPFJRC312IMWH

# Two-Piece Elongated Bowl Toilet



## Bowl Footprint Dimensions



Note: All dimensions and specifications are nominal and may vary. Dimensions of 8" and greater have a tolerance of +3%. Dimensions less than 8" have a tolerance of +5%.