

Jerritt – PROPFJRC310MWH

Two-Piece Elongated Bowl Toilet



Product Features

- PROPFJRC310MWH consists of PF1402TWH (bowl) and PF5110WHM (tank)
- 1.6 GPF
- Gravity-fed siphon jet flush
- Vitreous china
- 16-1/4" elongated bowl
- Rough-in: 10"
- Flush valve: 2"
- Trapway: 2" fully glazed
- Water spot: 7" x 6"
- Front-mounted color match trip lever
- Sanitary bar on bowl for easy cleaning
- Quick connect, two-bolt tank-to-bowl installation



Optional Accessories/Available Parts

- PF5112FLPK** Fill Valve Assembly
PF5112FVPK Flush Valve Assembly
PF5112TLCPPK Chrome Flush Lever

Available Colors: White (WH)

Codes and Certifications



- IAPMO/cUPC
- ASME A112.19.2 / CSA B45.1
- MaP Rated 1000g
- Meets ADA requirements when installed according to ADA guidelines

Tank

PF5110WHM 10" Rough-in Tank

Bowl

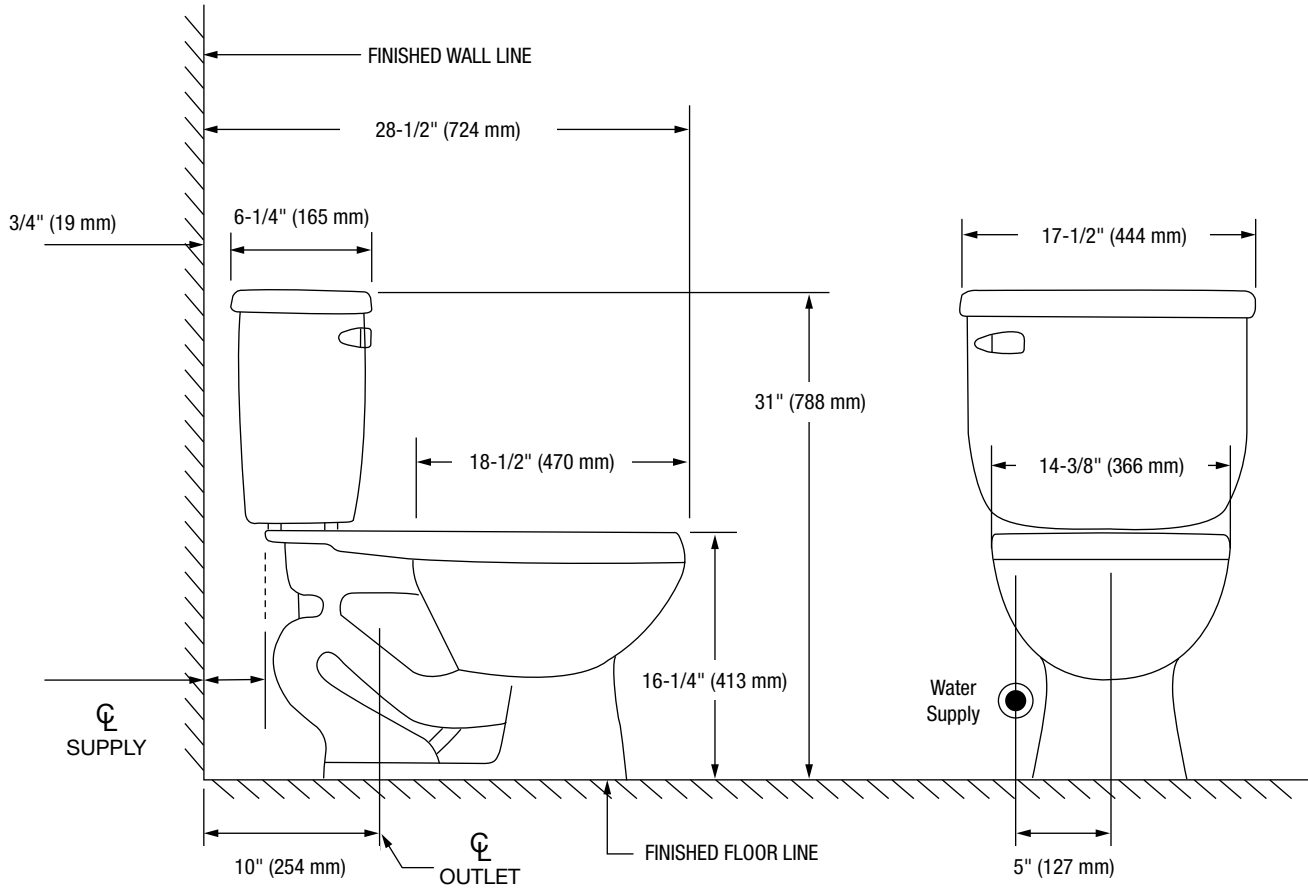
PF1402TWH Elongated, Comfort Height Bowl - 16-1/4"

Visit ferguson.com/PROFLO-vitreous-china-warranty for detailed warranty information.

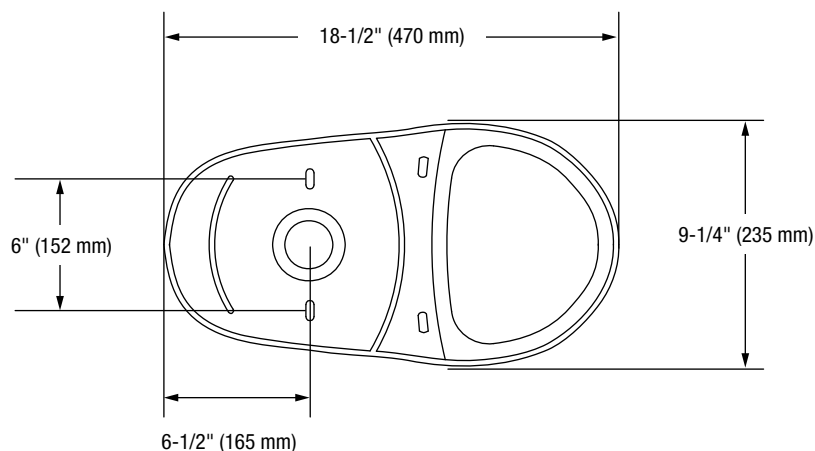
FERGUSON.COM/PROFLO

Jerritt – PROPFJRC310MWH

Two-Piece Elongated Bowl Toilet



Bowl Footprint Dimensions



Note: All dimensions and specifications are nominal and may vary. Dimensions of 8" and greater have a tolerance of +3%. Dimensions less than 8" have a tolerance of +5%.